

Washing Machine

User manual

WA17T6260**/WA18T6260**



SAMSUNG

Contents

Safety information	3
What you need to know about the safety instructions	3
Important safety symbols	3
Important safety precautions	4
Installation	10
What's included	10
Installation requirements	12
Step-by-step installation	13
Before you start	20
The basics	20
Smart Check	21
Laundry guidelines	22
Operations	26
Control panel	26
Simple steps to start	28
Auto cycles	29
Manual cycles	30
Maintenance	31
Cleaning	31
Troubleshooting	35
Checkpoints	35
Information codes	39
Specifications	42
Specification sheet	42

Safety information

Congratulations on your new Samsung washing machine. This manual contains important information on the installation, use and care of your appliance. Please take some time to read this manual to take full advantage of your washing machine's many benefits and features.

What you need to know about the safety instructions

Please read this manual thoroughly to ensure that you know how to safely and efficiently operate the extensive features and functions of your new appliance. Please store the manual in a safe location close to the appliance for future reference. Use this appliance only for its intended purpose as described in this instruction manual.

Warnings and Important Safety Instructions in this manual do not cover all possible conditions and situations that may occur. It is your responsibility to use common sense, caution and care when installing, maintaining and operating your washing machine. Because the following operating instructions cover various models, the characteristics of your washing machine may differ slightly from those described in this manual and not all warning signs may be applicable. If you have any questions or concerns, contact your nearest service centre or find help and information online at www.samsung.com.

Important safety symbols

What the icons and signs in this user manual mean:

 **WARNING**

Hazards or unsafe practices that may result in **severe personal injury, death and/or property damage**.

 **CAUTION**

Hazards or unsafe practices that may result in **personal injury and/or property damage**.

 **NOTE**

Indicates that a risk of personal injury or material damage exists.

Safety information

These warning signs are here to prevent injury to yourself and others.

Please follow them explicitly.

After reading this manual, store it in a safe place for future reference.

Read all instructions before using the appliance.

As with any equipment that uses electricity and moving parts, potential hazards exist. To safely operate this appliance, familiarize yourself with its operation and exercise care when using it.

Important safety precautions

WARNING

To reduce the risk of fire, electric shock, or injury to persons when using your appliance, follow basic precautions, including the following:

- 1.** This appliance is not intended for use by persons (including children) with reduced physical, sensory or mental capabilities, or lack of experience and knowledge, unless they have been given supervision or instruction concerning use of the appliance by a person responsible for their safety.
- 2. For use in Europe:** This appliance can be used by children aged from 8 years and above and persons with reduced physical, sensory or mental capabilities or lack of experience and knowledge if they have been given supervision or instruction concerning use of the appliance in a safe way and understand the hazards involved. Children shall not play with the appliance. Cleaning and user maintenance shall not be made by children without supervision.
- 3.** Children should be supervised to ensure that they do not play with the appliance.
- 4.** If the supply cord is damaged, it must be replaced by the manufacturer, its service agent or similarly qualified persons in order to avoid a hazard.

-
5. The new hose-sets supplied with the appliance are to be used and that old hose-sets should not be reused.
 6. For washing machines having ventilation openings in the base, the installation instructions shall state that the openings must not be obstructed by a carpet.
 7. **For use in Europe:** Children of less than 3 years should be kept away unless continuously supervised.
 8. **CAUTION:** In order to avoid a hazard due to inadvertent resetting of the thermal cut-out, this appliance must not be supplied through an external switching device, such as a timer, or connected to a circuit that is regularly switched on and off by the utility.
 9. This appliance is intended to be used in household only and it is not intended to be used such as:
 - staff kitchen areas in shops, offices and other working environments;
 - farm houses;
 - by clients in hotels, motels and other residential type environments;
 - bed and breakfast type environments;
 - areas for communal use in blocks of flats or in launderettes.

Safety information

Critical installation warnings

WARNING

The installation of this appliance must be performed by a qualified technician or service company.

- Failure to do so may result in electric shock, fire, an explosion, problems with the product, or injury.

Plug the power cord into a wall socket that meets local electrical specifications. Use the socket for this appliance only, and do not use an extension cord.

- Sharing a wall socket with other appliances using a power strip or extending the power cord may result in electric shock or fire.
- Ensure that the power voltage, frequency, and current are the same as those of the product specifications. Failure to do so may result in electric shock or fire. Plug the power plug into the wall socket firmly.

Remove all foreign substances such as dust or water from the power plug terminals and contact points using a dry cloth on a regular basis.

- Unplug the power plug and clean it with a dry cloth.
- Failure to do so may result in electric shock or fire.
- Plug the power plug into the wall socket so that the cord is running towards the floor. If you plug the power plug into the socket in the opposite direction, the electric wires within the cable may be damaged and this may result in electric shock or fire.

This appliance must be properly grounded.

Do not ground the appliance to a gas pipe, plastic water pipe, or telephone line.

- This may result in electric shock, fire, an explosion, or problems with the product.
- Never plug the power cord into a socket that is not grounded correctly and make sure that it is in accordance with local and national regulations.

Do not install this appliance near a heater or any inflammable material.

Do not install this appliance in a humid, oily or dusty location, or in a location exposed to direct sunlight or water (rain drops).

Do not install this appliance in a location exposed to low temperatures.

- Frost may cause the tubes to burst.

Do not use an electric transformer.

- This may result in electric shock or fire.

Do not use a damaged power plug, damaged power cord, or loose wall socket.

- This may result in electric shock or fire.

Do not pull or excessively bend the power cord.

Do not twist or tie the power cord.

Do not hook the power cord over a metal object, place a heavy object on the power cord, insert the power cord between objects, or push the power cord into the space behind the appliance.

- This may result in electric shock or fire.

This appliance should be positioned so that the power plug, the water supply taps, and the drain pipes are accessible.

Installation cautions

CAUTION

This appliance should be positioned in such a way that the power plug is easily accessible.

- Failure to do so may result in electric shock or fire due to electric leakage.

Critical usage warnings

WARNING

If the appliance is flooded, turn off the water & power supplies immediately and contact your nearest service centre.

- Do not touch the power plug with wet hands.
- Failure to do so may result in electric shock.

If the appliance generates a strange noise, a burning smell, or smoke, unplug the power plug immediately and contact your nearest Samsung Customer Service.

- Failure to do so may result in electric shock or fire.

In the event of a gas leak (such as propane gas, LP gas, etc.), ventilate immediately without touching the power plug. Do not touch the appliance or power cord.

- Do not use a ventilating fan.
- A spark may result in an explosion or fire.

Do not let children play in or on the washing machine. In addition, when disposing of the appliance, remove the lid.

- If trapped inside the product, children may suffocate to death.

Safety information

Do not wash items contaminated with gasoline, kerosene, benzene, paint thinner, alcohol or other inflammable or explosive substances.

- This may result in electric shock, fire, or an explosion.

Do not touch the power plug with wet hands.

- This may result in electric shock.

Do not insert your hand or a metal object under the washing machine while an operation is in progress.

- This may result in injury.

Do not attempt to repair, disassemble, or modify the appliance yourself.

- Do not use a fuse (such as copper, steel wire, etc.) other than a standard fuse.
- When the appliance needs to be repaired or reinstalled, contact your nearest service centre.
- Failure to do so may result in electric shock, fire, problems with the product, or injury.
- In this case, the product will not be covered by the standard warranty provided by Samsung and no responsibility can be attributed to Samsung for malfunctions or damages resulting from doing it.

Unplug the power plug when the appliance is not being used for long periods of time or during a thunder or lightning storm.

- Failure to do so may result in electric shock or fire.

Do not put your hand into the spinning tub during the spin cycle.

- This may result in injury. If the tub does not stop spinning within 15 seconds after you open the lid, contact your nearest Samsung Customer Service.

Do not let children (or pets) play in or on your washing machine.

The washing machine door does not open easily from the inside and children may be seriously injured if trapped inside.

Do not use the water to exceed 50 °C when using the hot water in your washing machine. Plastic parts may be deformed or damaged, and this may result in electric shock or fire.

Usage cautions

CAUTION

When the washing machine is contaminated by a foreign substance such as detergent, dirt, food waste, etc., unplug the power plug and clean the washing machine using a damp, soft cloth.

- Failure to do so may result in discolouration, deformation, damage, or rust.

The product you have purchased is designed for domestic use only.

Using the product for business purposes qualifies as a product misuse. In this case, the product will not be covered by the standard warranty provided by Samsung and no responsibility can be attributed to Samsung for malfunctions or damages resulting from such misuse.

Do not stand on the appliance or place objects (such as laundry, lighted candles, lighted cigarettes, dishes, chemicals, metal objects, etc.) on the appliance.

- This may result in electric shock, fire, problems with the product, or injury.

Do not press the buttons using sharp objects such as pins, knives, fingernails, etc.

- This may result in electric shock or injury.

Critical cleaning warnings

WARNING

Do not clean the appliance by spraying water directly onto it.

Do not use the strong acidic cleaning agent.

Before cleaning or performing maintenance, unplug the appliance from the wall socket.

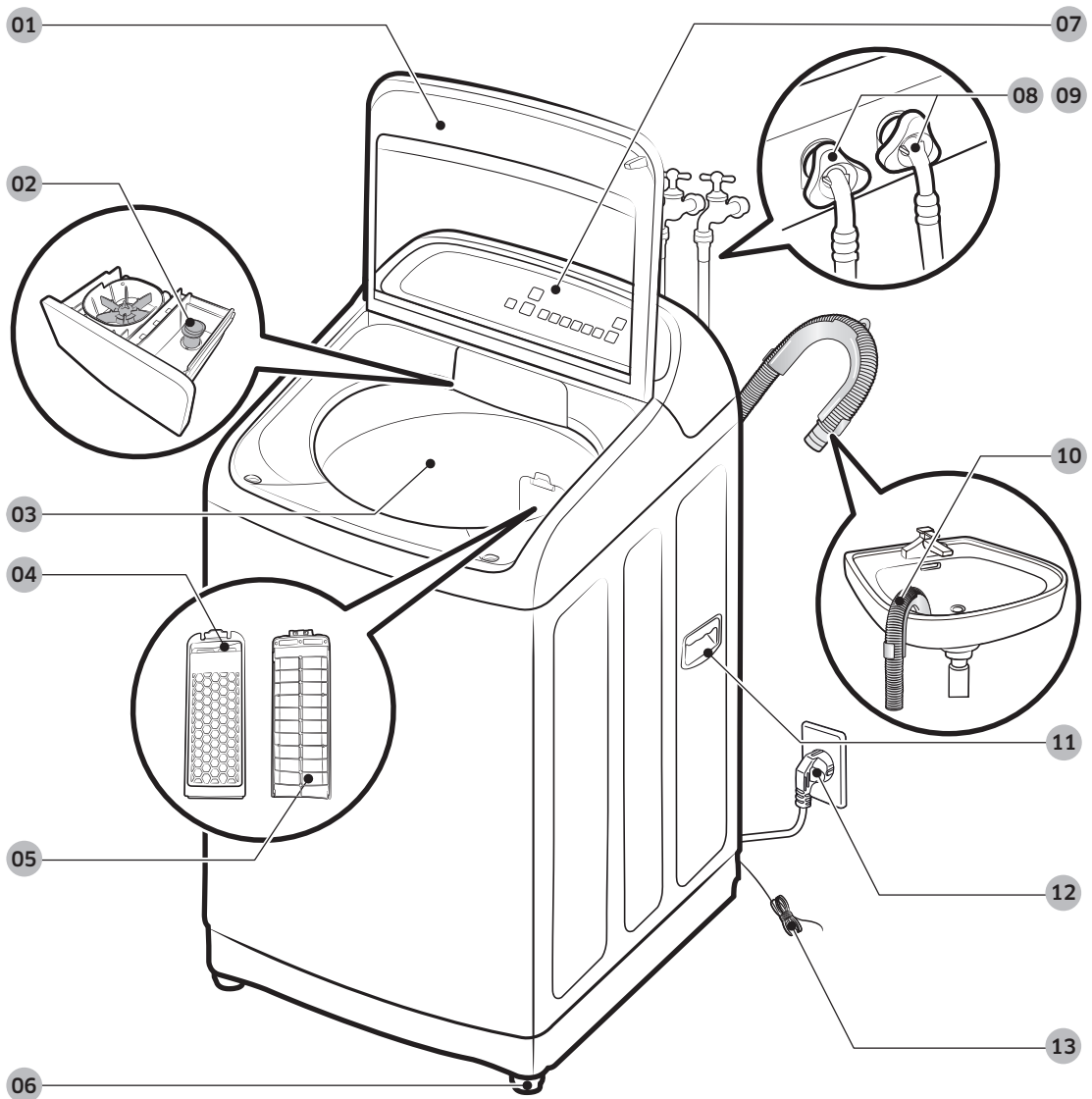
- Failure to do so may result in electric shock or fire.

Installation

Follow these instructions carefully to ensure proper installation of the washing machine and to prevent accidents when doing laundry.

What's included

Make sure all the parts are included in the product package. If you have a problem with the washing machine or the parts, contact a local Samsung customer centre or the retailer.



01 Lid	02 Detergent drawer	03 Tub
04 Lint filter (Front)	05 Lint filter (Rear)	06 Levelling feet
07 Control Panel	08 Water hose (Cold)	09 Water hose (Hot) *
10 Drain hose	11 Side handle *	12 Power cord
13 Grounding lead *		

NOTE

- Availability of parts with an asterisk (*) depends on the model.
- Lid: Make sure to keep the lid closed while the washing machine is operating.
- Lint filter: This collects lint that builds up from the laundry being washed.
- Grounding lead: Cover this lead if wired to a metal part for earth-grounding.
- Levelling feet: Adjust the feet to level the washing machine on a flat floor.

Installation

Installation requirements

Electrical supply and grounding

WARNING

- AC 220-240 V / 50 Hz fuse or circuit breaker is required.
- Use an individual branch circuit specific to the washing machine.
- Do NOT use an extension cord.
- Use only the power cord that comes with the washing machine.
- Do NOT connect the ground wire to plastic plumbing, gas lines, or hot water pipes.

Levelling

- To prevent tumbling or noise, install the washing machine on a solid, flat floor without a platform or bricks.
- Keep the washing machine at 10 cm from each adjacent wall.

Water supply

- Make sure water taps are easily accessible.
- Turn off the taps when the washing machine is not in use.
- Check for any leaks at the water hose fittings on a regular basis.

Drain

- Make sure the drain hose is not clogged.
- We recommend a standpipe in height of 90-100 cm. The drain hose must be connected through the hose clip to the standpipe, and the standpipe must fully cover the drain hose.
The standpipe specifications mentioned here are only applicable to pump-type models.

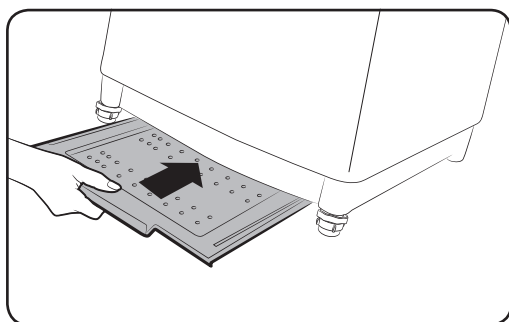
Step-by-step installation

STEP 1 Select a location

Location requirements:

- Solid, level surface without carpeting or flooring that may obstruct ventilation
- Away from direct sunlight
- Adequate room for ventilation and wiring
- The ambient temperature is always higher than the freezing point (0 °C)
- Away from a heat source

Anti-rat panel



The washing machine comes with the Anti-rat panel that protects small animals such as rats from entering the machine.

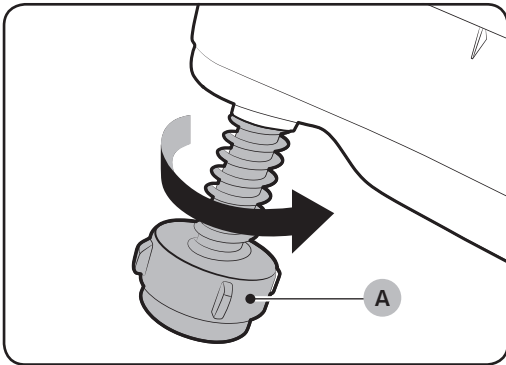
Insert the panel into the bottom of the machine. To facilitate the work, slightly lift up the bottom front.

NOTE

- Some models feature the Anti-rat panel that must be inserted from the rear bottom of the model. For this model, insert the Anti-rat panel before levelling the machine. To facilitate the work, slightly lift up the bottom rear.
- Availability of the Anti-rat panel depends on the model.

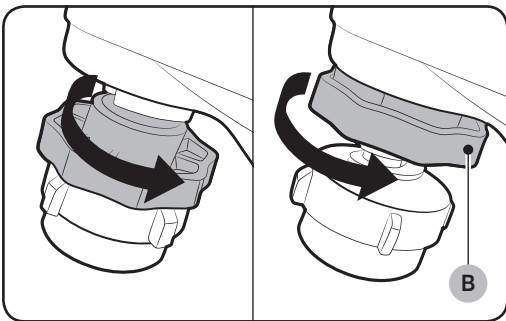
Installation

STEP 2 Adjust the levelling feet



Unpack the product package.

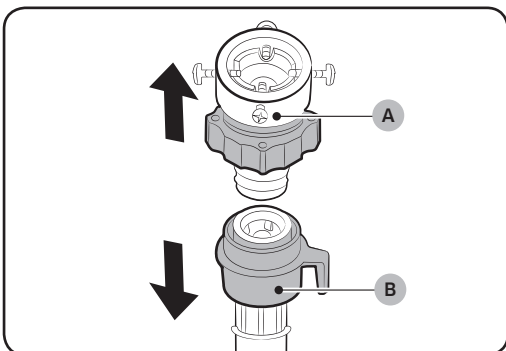
1. Gently slide the washing machine into position. Excessive force may damage the levelling feet (A).
2. Level the washing machine by manually adjusting the levelling feet.
3. When levelling is complete, tighten the nuts (B) if provided (some models may not have the nuts).



WARNING

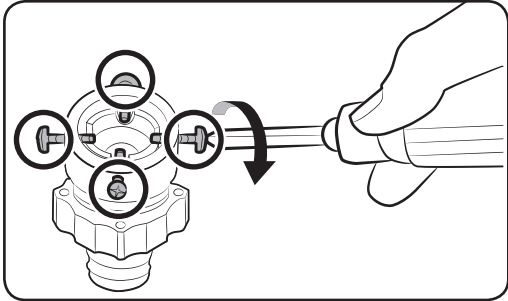
Packaging materials can be dangerous to children. Dispose all packaging material (plastic bags, polystyrene, etc.) out of children's reach.

STEP 3 Connect the water hose

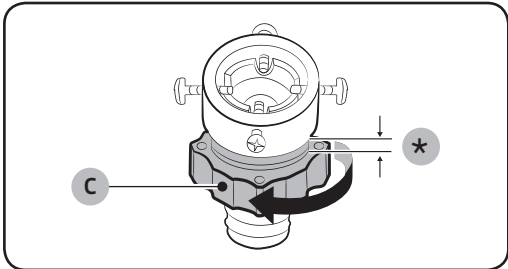


Connect the water hose to the water tap.

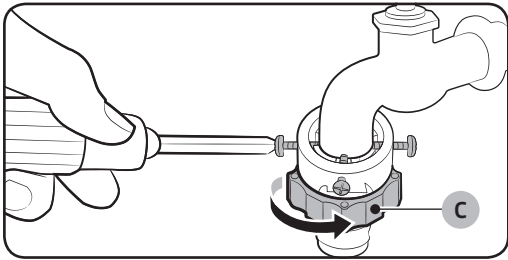
1. Remove the adaptor (A) from the water hose (B).



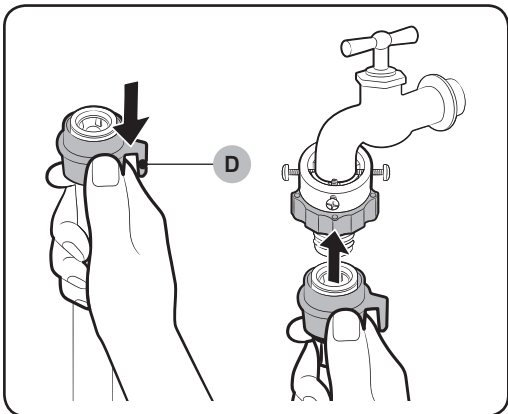
2. Use a Philips screwdriver to loosen four screws on the adaptor.



3. Hold the adaptor and turn **part (C)** in the arrow direction to loosen it by 5 mm (*).

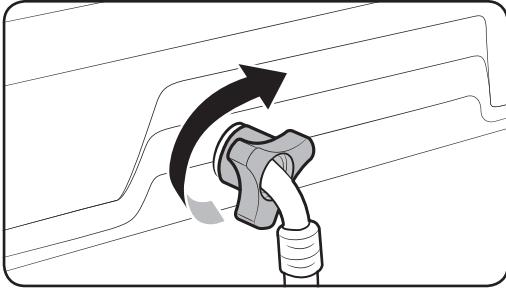


4. Insert the adaptor into the water tap, and tighten the screws while lifting up the adaptor.
5. Turn **part (C)** in the arrow direction to tighten it.

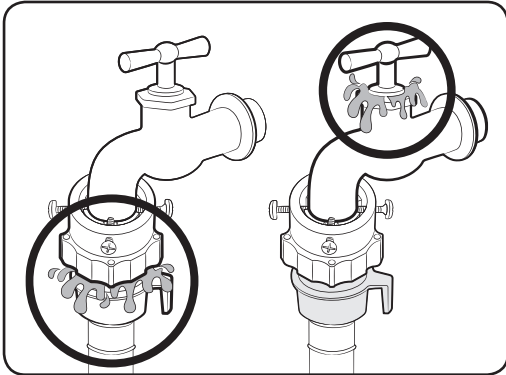


6. While holding down **part (D)**, connect the water hose to the adaptor. Then, release **part (D)**. The hose fits into the adaptor with a clicking sound.

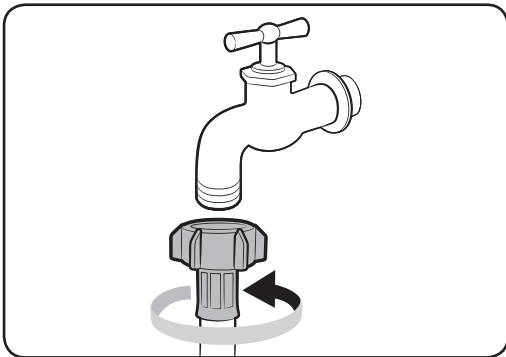
Installation



7. Connect the other end of the water hose to the inlet valve on the back of the washing machine. Turn the hose clockwise to tighten.



8. Open the water tap and check if there are any leaks around the connection areas.
 - If there are water leaks, repeat the steps above.



- If using a screw type of water tap, connect the water hose to the water tap as shown.

WARNING

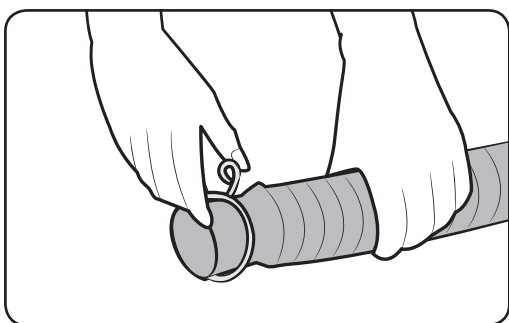
Stop using the washing machine if there is a water leak, and contact a local Samsung service centre. Otherwise, this may cause electric shock.

CAUTION

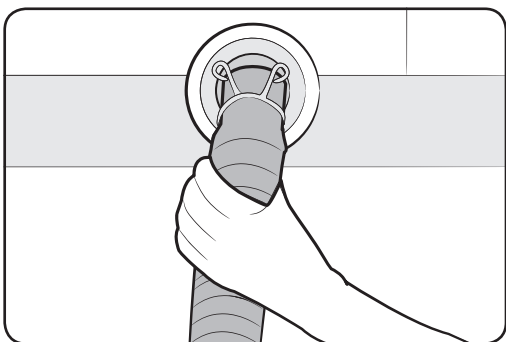
Do not stretch the water hose by force. If the hose is too short, replace the hose with a longer, high-pressure hose.

NOTE

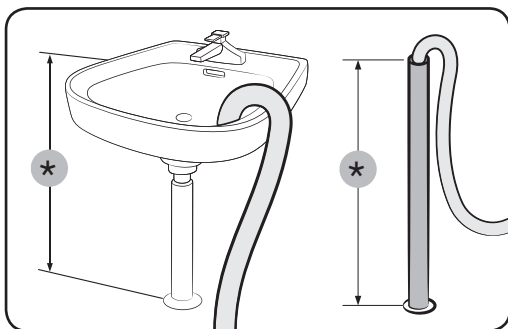
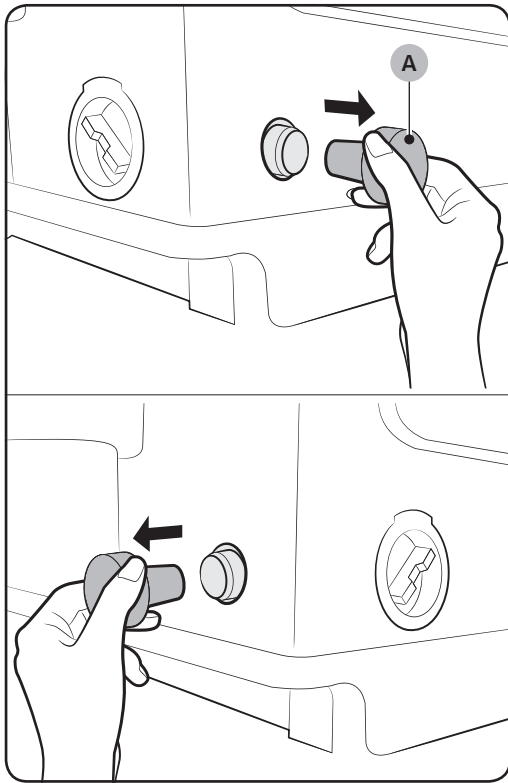
- After connecting the water hose to the adaptor, check if it is connected properly by pulling the water hose downwards.
- Use a standard type of water tap. If the tap is square-shaped or too big, remove the spacer ring before inserting the tap into the adaptor.

STEP 4 Position the drain hose**General type**

1. Press and hold down the joint ring, and insert it into the drain hose.
2. Insert the drain hose into the drain outlet. Make sure to connect them firmly using the joint ring. The drain hose is extensible. Adjust the length of the drain hose as needed.



Installation



Pump type

1. Open the **hose cap (A)**, and insert the drain hose. Tighten the drain hose using the joint ring.

NOTE

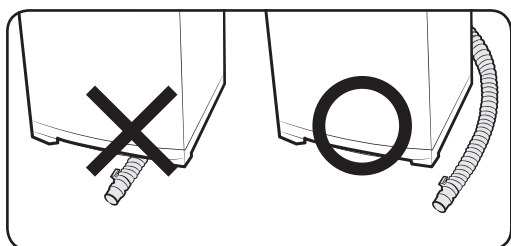
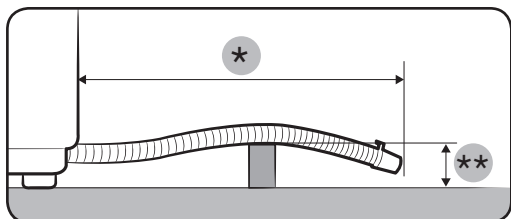
- The position (side or rear) of the drain outlet depends on the model.
- Availability of the hose cap depends on the model.

2. Connect the other end of the drain hose to a standpipe or basin that is positioned 90-100 cm (*) from the floor.

WARNING

Make sure the end of the drain hose is not submerged by water. Otherwise, the washing machine may suffer serious damage.

! CAUTION



- Do not exceed **3 m (*)** for the total length of extended hoses.
- Do not let the drain hose run over door sills that protrude **5 cm (**)** or more from the floor.
- Do not run the drain hose under the bottom of the machine.

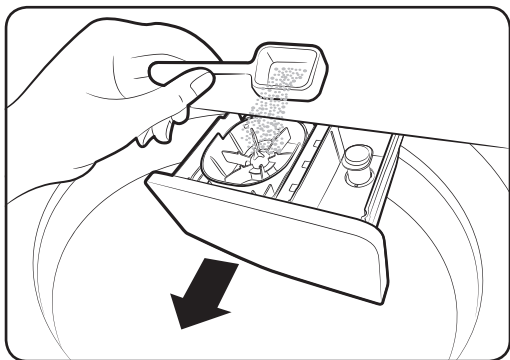
STEP 5 Power on

Plug the power cord into a wall socket featuring an AC 220-240 V / 50 Hz approved electrical outlet protected by a fuse or circuit breaker. Then, press **POWER** to turn on the washing machine.

Before you start

The basics

Detergent drawer



To add a laundry-specific detergent, follow these steps:

1. Locate the detergent drawer, and slide it open.
2. Apply powder detergent as recommended by the manufacturer. Do not exceed the max line that is marked on the wing distributor.
3. If necessary, apply fabric softener as appropriate. Do not exceed the max line that is marked on the rinse cap.

CAUTION

Make sure to use detergent as appropriate. An excessive amount of detergent may not dissolve well.

Child Lock

Child Lock is designed to prevent accidents by children or infants, such as drowning.

1. Press **POWER**.
2. To activate the Child Lock, hold down **Wash Time** and **Rinse Times** simultaneously for 3 seconds. The indicator blinks.
3. To deactivate the Child Lock, hold down **Wash Time** and **Rinse Times** simultaneously for 3 seconds. The indicator turns off. If the tub has contained water, simply restart the machine and hold down two buttons simultaneously for 3 seconds to deactivate the Child Lock.

With the Child Lock enabled

- You can still manipulate on the control panel while the lid is closed. If you open the lid, an information code (CL, dC) appears with an alarm. Then, the machine starts forced draining after 30 seconds in order to prevent infant or child accidents such as drowning.
- If the lid is left open for 30 seconds with the tub containing water, the machine drains the water with the “CL” code, which you cannot stop.
- To add detergent or more laundry in the tub, or to change the cycle settings, you must first deactivate the Child Lock.

WARNING

If you open the lid with the Child Lock enabled, the machine starts forced draining to prevent accidents such as drowning.

NOTE

The Child Lock remains active after you power off the machine. You cannot deactivate the Child Lock as long as the “CL” code appears on the display. But, you can deactivate when the dC code appears by holding down two buttons simultaneously.

Smart Check

To enable this function, you must first download the **Samsung Smart Washer** app at the **Play Store** or the **Apple Store**, and install it on a mobile device featuring a camera function.

The Smart Check function has been optimized for Galaxy & iPhone series (applicable models only).

1. Press and hold **Rinse Times** and **Spin Time** simultaneously for 3 seconds to enter the Smart Check mode.
2. The washing machine starts the self-diagnosis procedure and displays an information code if a problem is detected.
3. Run the **Samsung Smart Washer** app on your mobile device, and tap **Smart Check**.
4. Put the mobile device close to the washing machine's display so that the mobile device and the washing machine face each other. Then, the information code will be recognized automatically by the app.
5. When the information code is recognized correctly, the app provides detailed information about the problem with applicable solutions.

NOTE

- The function name, Smart Check, may differ depending on the language.
- If there is strong reflected light on the washing machine display, the app may fail to recognize the information code.
- If the app fails to recognize the Smart Check code consecutively, enter the information code manually onto the app screen.

Before you start

Laundry guidelines

Checkpoints

- Check for stains or dirt. Apply a little detergent to a white towel. Rub the white towel and the dirty clothes together to transfer the dirt or colour to the white towel.
- Before washing, pre-treat the sleeves, collars, dress hems, and pockets by brushing with detergent.
- Wrinkle-processed clothes made of wool must be specially treated by tightening them with threads before washing. Remove the threads after washing and drying is complete.

CAUTION

- Do not place or keep blankets in the tub.
- Do not put candles or a heat source in or on the washing machine.
- Do not wash these clothes:
 - Neckties, brassieres, jackets, suits, and coats can be easily deformed by shrinking or discolouring on the surface. These clothes are mostly made of rayon, polynosic, cuff, and/or blended fabric.
 - Wrinkle-processed, embossed, or resin processed clothes easily deform merely by soaking in water.
 - Clothes that are easily discoloured made from cotton, wool, wrinkled silk, leather wear and accessories, and leather ornamented clothes and accessories.
 - Waterproof sheets, mattresses, or wool quilts, rain covers, fishing jackets and trousers, skiwear, sleeping bags, diaper covers, sweat suits, vehicle covers for automobiles, bicycles, and motorcycles, bath rugs, and other waterproof items.

STEP 1 Sort

Sort the laundry according to these criteria:

- Care Label: Sort the laundry into cottons, mixed fibres, synthetics, silks, wools, and rayon.
- Colour: Separate whites from colours.
- Size: Mixing different-sized items together in the tub improves the washing performance.
- Sensitivity: Follow the cloth-specific instructions on the care label of delicate items such as pure, new woollen items, curtains, and silk items.

NOTE

Make sure to check the care label on the clothing, and sort them accordingly before starting the wash.

STEP 2 Empty pockets

Empty all the pockets of your laundry items, and remove dirt and/or soils from them.

- Metal objects such as coins, pins, and buckles on clothing may damage other laundry items as well as the tub.
- Turn clothing with buttons and embroideries inside out.
- If pants or jacket zippers are open while washing, the tub may be damaged.
- Zippers should be closed and fixed with a string.
- Clothing with long strings may become entangled with other clothes. Make sure to tie the strings before washing.

STEP 3 Use a laundry net or wash certain items separately

- Brassieres (water washable) must be placed in a laundry net. Metal parts of the brassieres may break through and tear other laundry items.
- Cashmilon, large volume garments, and lightweight clothes (lace-decorated clothes, lingerie, nylon stocking, and synthetic fabrics) may float on water during washing and cause problems to the machine. Use the laundry net or wash them separately.
- Do not wash the laundry net by itself without other laundry. This may cause abnormal vibrations that could move the washing machine and result in injury.

Before you start

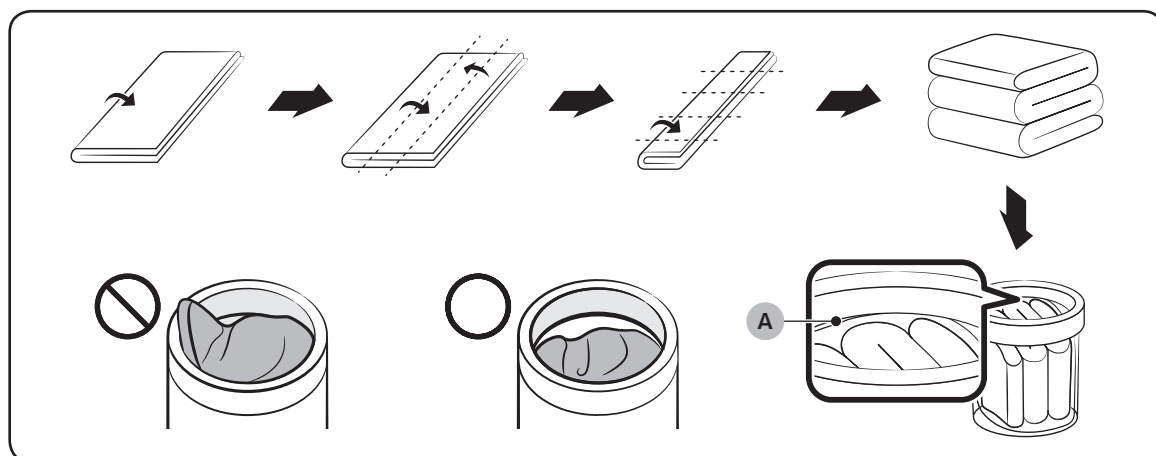
CAUTION

Make sure to soak inflatable items (such as blankets, and cotton-filled or microfibre quillets) in water before you run a cycle.

- Inflatable items may cause damage to the laundry or the machine during the wash or drying process.
- Regardless of the size, blankets or quilts are safer and cleaner to wash one item at a time. Two different-sized blankets in the same load may compromise the drying performance due to unbalanced loads.

To input a blanket

Fold the blanket as shown, and then put it on the **plastic area (A)** of the tub before inserting into the tub.



STEP 4 Prewash (if necessary)

- To remove stains and dirt on collars, sleeves, hems, and pockets, apply detergent lightly and brush off.
- Use powder or liquid detergents. Do not use soap, as this may remain on the tub after washing.
- Prewash white socks, sleeves, and collars with a little detergent and a brush.

CAUTION

Make sure the laundry is inserted completely.

- Any exposed part of the laundry may cause damage to the machine or the laundry itself, or a water leak.
- Make sure the laundry does not exceed the **plastic area (A)** in the above figure.

STEP 5 Determine the load capacity

Make sure the laundry does not exceed the **plastic area (A)** in the figure on page 24. Otherwise, it may cause the washing machine to not wash properly or cause damage to the machine or the laundry itself, or a water leak.

NOTE

When washing bedding or bedding covers, the wash time may be lengthened or the spin efficiency may be reduced. For bedding or bedding covers, the recommended load capacity is 3.5kg or less.

CAUTION

If the laundry is unbalanced and the “Ub” information code is displayed, redistribute the load. Unbalanced laundry may reduce the spinning performance and cause damage to the machine or the laundry itself.

STEP 6 Apply a proper detergent type

The type of detergent depends on the type of fabric (cotton, synthetic, delicate items, wool), colour, wash temperature, and degree of soiling. Always use “low suds” laundry detergent, which is designed for automatic washing machines.

CAUTION

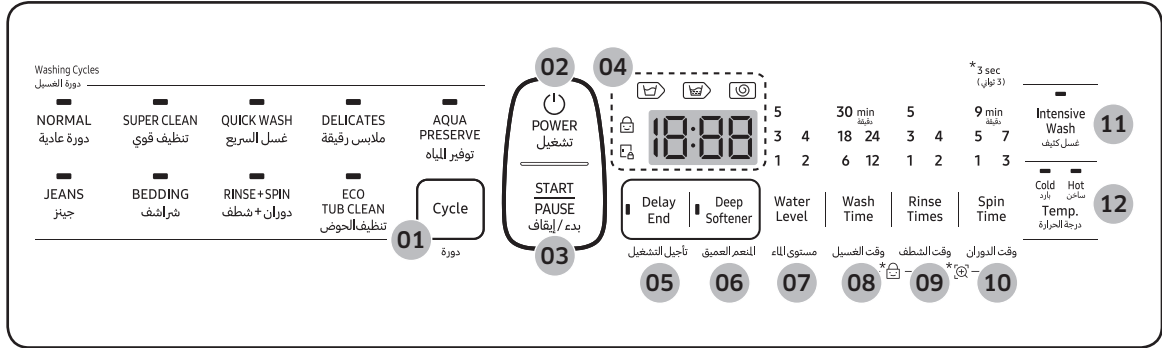
- Use an appropriate amount of detergent. Excess amounts of detergent do not produce much improvement in washing results but cause damage to the laundry due to deteriorated rinsing performance.
- Bleach is strong alkali in nature, causing damage to or discolouration of the laundry.
- Use a longer or added rinse cycle when using powder detergent that is very likely to remain on the laundry and cause bad odours after washing is complete.
- If an excessive amount of detergent is used especially in cold water, the detergent doesn't dissolve well, ending up with contaminated laundry, hoses, and/or tub.
- In case of timed washing, do not apply detergent directly to laundry or the tub. The laundry may be discoloured. Use the detergent drawer.
- When washing wool using the Wool cycle, use only a neutral detergent to avoid discolouring the laundry.

NOTE

- Follow the detergent manufacturer's recommendations based on the weight of the laundry, the degree of soiling, and the hardness of the water in your local area. If you are not sure about the water hardness, contact a local water authority.
- Do not use detergent that tends to be hardened or solidified. This detergent may remain after the rinse process, blocking the drain outlet.

Operations

Control panel

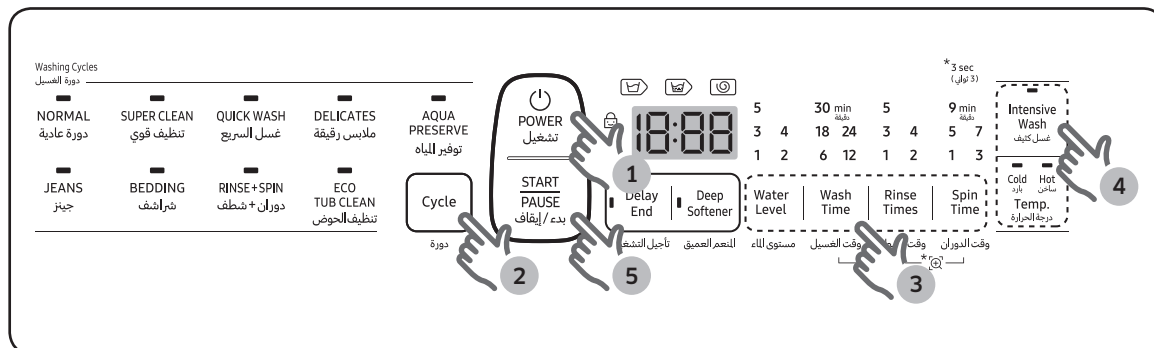


01 Cycle	Press to select a desired cycle. The selected cycle's indicator will light up.
02 POWER	Press to turn on/off the washing machine.
03 START/PAUSE	Press to start or stop operation.
04 Display	The display shows current cycle information and estimated time remaining, or an information code if the washing machine needs to be checked.
05 Delay End	Set the washing machine to finish your wash automatically at later time. Choose a delay of between 1 to 24 hours (in 1 hour increments).
06 Deep Softener	Add an additional rinse at the end of the cycle to more thoroughly remove laundry additives and perfumes. <ul style="list-style-type: none"> After using the Deep Softener option, when drying with a dryer, the residual scent may be small. When used with strong scented detergent, the fragrance of the fabric softener may decrease.
07 Water Level	Press to change the default water level of the selected cycle.
08 Wash Time	Press to change the default washing time of the selected cycle.
09 Rinse Times	Press to change the default rinse count of the selected cycle.
10 Spin Time	Press to change the default spin time of the selected cycle.

11 Intensive Wash	Press this button when the laundry is heavily soiled and needs to be washed intensively. The cycle time will be increased if Intensive Wash is on.
12 Temp.	Press to toggle between two different water temperature options. Cold: For brightly colored, very lightly soiled items. Hot: For colorfast items.

Operations

Simple steps to start



1. Press **POWER** to turn on the washing machine.
2. Press **Cycle** to select the desired cycle.
3. Change the cycle settings (**Water Level**, **Wash Time**, **Rinse Times**, and/or **Spin Time**) as necessary.
4. To add an option such as **Intensive Wash**, and **Temp.**, press the corresponding button.
5. Press **START/PAUSE**.

To change the cycle during operation

1. Press **START/PAUSE** to stop operation.
2. Select a different cycle, and repeat steps 2-4 above if necessary.
3. Press **START/PAUSE** again to start the new cycle.

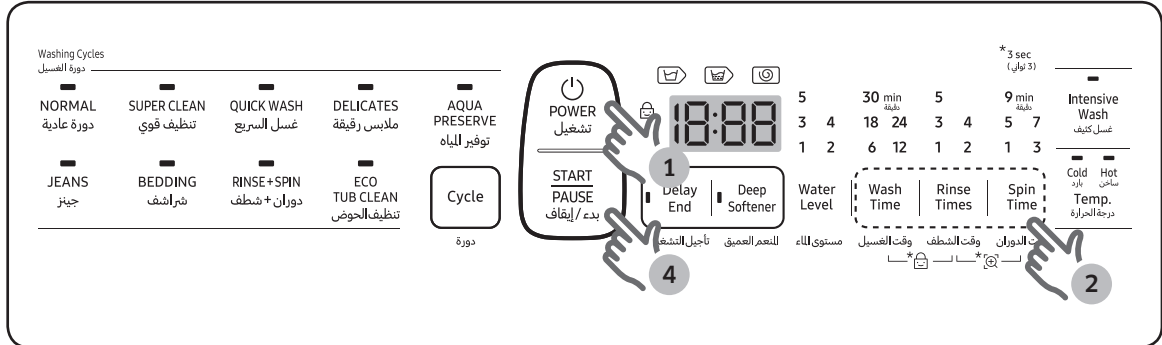
Auto cycles

Cycle	Description
NORMAL	For cottons, bed linens, table linens, underwear, towels, or shirts. The washing time and the number of rinses are automatically adjusted according to the load.
SUPER CLEAN	Select this if you want to produce powerful cleaning performance.
QUICK WASH	For lightly soiled garments needed quickly.
DELICATES	For sheer fabrics, bras, lingerie (silk), and other handwash-only fabrics.
JEANS	Suitable for clothes that require a thorough wash.
BEDDING	<ul style="list-style-type: none">• For bulky items such as comforters, blankets, and sheets.• For best results, wash only a single type of bedding.
RINSE+SPIN	<ul style="list-style-type: none">• For loads that need rinsing and spinning only.• You can also select this cycle for additional rinsing and spinning after running other cycles.
ECO TUB CLEAN	Select this to clean the tub. The powerful spinning force removes impurities and bad odours from inside the tub.
AQUA PRESERVE	Use this if you want to save the water to use. The water used in the rinse process will be reused for the next process.

Operations

Manual cycles

You might want to use a single cycle to wash less soiled clothes. For example, you can run the wash cycle once for nightwear.



1. Press **POWER** to turn on the washing machine.
2. Press **Wash Time**, **Rinse Times**, **Spin Time** to run the individual cycle to your needs. The duration or count of each cycle can be adjusted by pressing the applicable button as many times as needed.

Wash Time	Rinse Times	Spin Time
6-30 minutes	1-5 times	1, 3, 5, 7, 9 minutes

3. If you want to run a combination of cycles, press applicable cycle buttons as below:

Wash + Rinse	Rinse + Spin	Wash + Rinse + Spin
Rinsing after washing	Spinning after rinsing	Washing, rinsing, and then spinning in sequence

4. Press **START/PAUSE**.

Maintenance

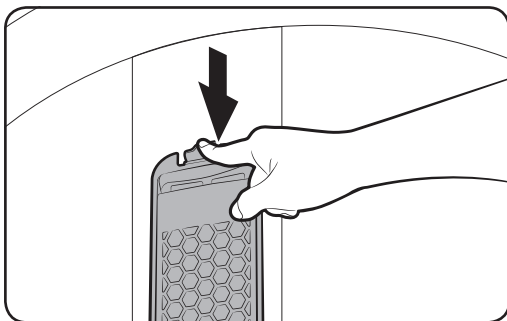
Cleaning

Keep the washing machine clean to prevent deteriorated performance and to preserve its life cycle.

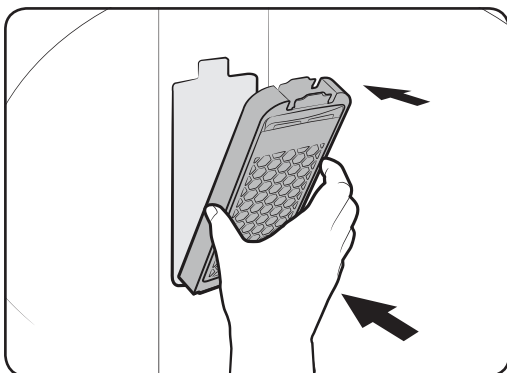
Eco Tub Clean reminder

- The **ECO TUB CLEAN** LED blinks on the control panel to remind you to clean the tub. If you happen to see the indicator blinking after washing is complete, remove the laundry and run the Eco Tub Clean cycle.
- You can ignore this reminder and continue to run cycles normally because this is not a system failure. However, the reminder remains active for 6 consecutive cycles immediately after each cycle is complete.
- The reminder is activated once every 1-3 months, depending on the cycle count.
- To keep the tub clean, it is recommended to run Eco Tub Clean on a regular basis.

Lint filter



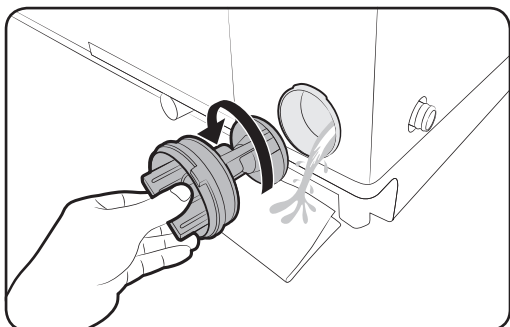
1. Press down the upper area of the filter case to remove.
2. Unlock the cover, and clean the filter with running water and a brush.



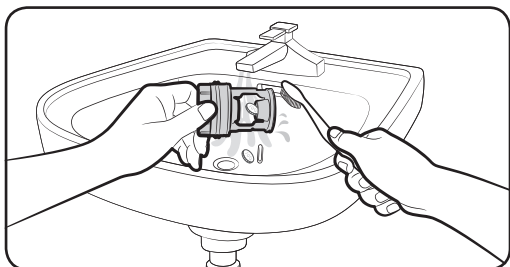
3. When cleaning is complete, close the cover and reinsert the filter case to the original position. You will hear a clicking sound when the filter case fits in.

Maintenance

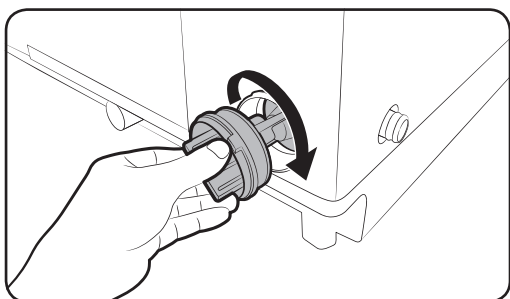
Pump filter (applicable models only)



1. Put a floor-cloth or towel under the Pump filter. Turn the filter knob anticlockwise to remove.

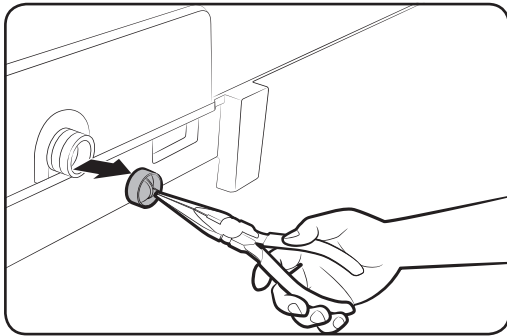


2. Clean the filter with running water and a soft brush.

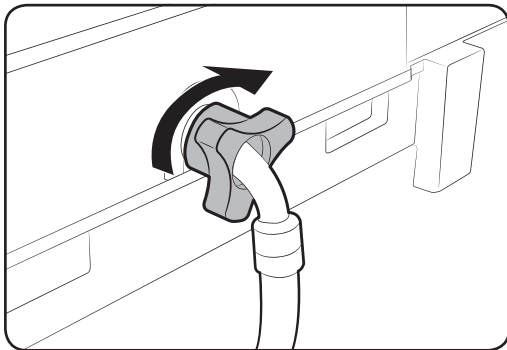


3. Reinsert the filter, and turn clockwise until it locks into position.

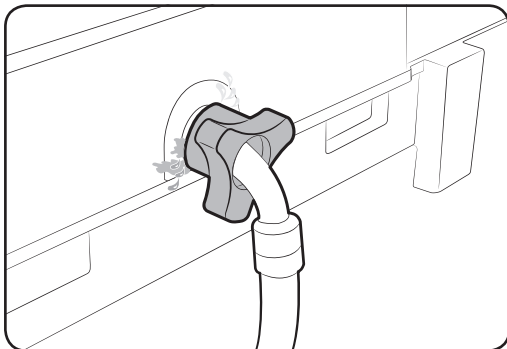
Mesh filter



1. Use pliers to pull out the mesh filter from inside the water inlet as shown.
2. Use a soft brush to clean the filter with running water.

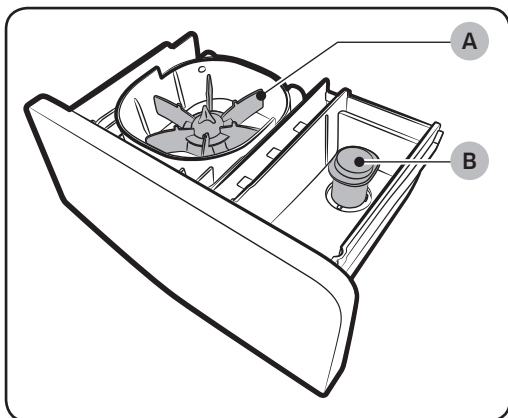


3. Reinsert the filter. Make sure it is tightened against water leaks.

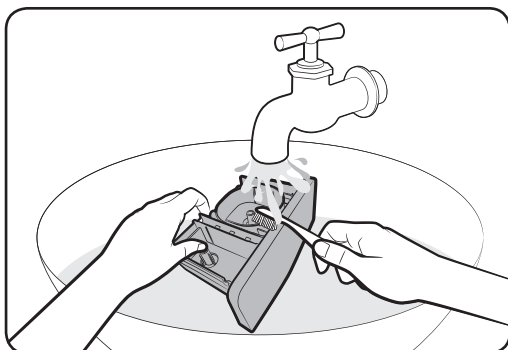


Maintenance

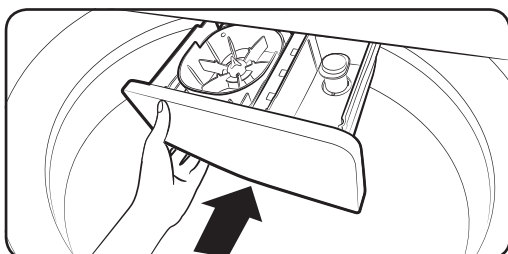
Detergent drawer



1. Slightly lift up the front edge of the drawer, and then slide it open.
2. Remove the **wing distributor (A)** and **rinse cap (B)** from the drawer.



3. Clean the drawer as well as the distributor and rinse cap with running water and a soft brush.



4. When complete, close the rinse cap and reinsert the distributor. Then, reinsert the detergent drawer.

Troubleshooting

Checkpoints

If you encounter a problem with the washing machine, first check the table below and try the suggestions.

Problem	Action
Does not turn on.	<ul style="list-style-type: none">• Make sure you use rated power for the product.• Make sure the power cord is completely plugged in.• Check the fuse or reset the circuit breaker.
Does not start.	<ul style="list-style-type: none">• Make sure the lid is closed.• Make sure the water taps are open.• Make sure to press START/PAUSE to start the washing machine.• Make sure Child Lock is not activated.• Before the washing machine starts to fill, it will make a series of clicking noises to check if the lid is locked, and does a quick drain.• Was the lid opened during the spinning cycle? Close the lid, and press START/PAUSE to resume.• The machine enters Standby or is in a soaking cycle. Please wait.• Check the fuse or reset the circuit breaker.
Water is not supplied.	<ul style="list-style-type: none">• Make sure you press START/PAUSE after selecting the water supply.• Make sure the water taps are open.• Is the filter net at the water supply hose connector clogged? Clean the filter net by brushing with a toothbrush.• Is the water supply cut off? If the water supply is cut off, close the tap and power off.• Straighten the water supply hoses.• Open and close the lid, then press START/PAUSE.• If the water pressure is low, it takes longer to start washing.• If the water level is not as high as necessary or lower than expected, use the level selector to adjust the water level.
After a cycle, detergent remains in the automatic dispenser.	<ul style="list-style-type: none">• Make sure the washing machine is running with sufficient water pressure.• Make sure the detergent drawer is properly inserted.• Remove and clean the detergent drawer, and then try again.

Troubleshooting

Problem	Action
Vibrates excessively or makes noise.	<ul style="list-style-type: none"> • Make sure the washing machine is set on a level floor. If the floor is not level, use the levelling feet to adjust the washing machine. • Make sure the washing machine is not contacting any other object. • Make sure the laundry load is balanced. • Make sure the laundry is spread evenly in the washing machine. Spread out the laundry evenly and start again. • Make sure the space around the washing machine is free of objects. • Humming is produced normally during operation. • Objects such as coins can cause noise. Remove these objects from the washing machine after washing is complete.
Stops.	<ul style="list-style-type: none"> • Plug the power cord into a live electrical outlet. • Check the fuse or reset the circuit breaker. • Close the lid, and press START/PAUSE to start the washing machine. For your safety, the washing machine will not spin unless the lid is closed. • Before the washing machine starts to fill, it will make a series of clicking noises to check if the lid is locked, and does a quick drain. • There may be a pause or soak period in the cycle. Wait briefly and the washing machine may start. • Make sure the inlet hose screens at the taps are not clogged. Periodically clean the screens. • This problem occurs temporarily due to low voltages, and will be solved when power recovers.

Problem	Action
Fills with the wrong temperature water.	<ul style="list-style-type: none"> • Fully open both water taps. • Make sure the temperature selection is correct. • Make sure the hoses are connected to the correct water taps. Flush water lines. • Disconnect the hoses and clean the screens. The hose filter screens may be clogged. • While the washing machine fills, the water temperature may change as the automatic temperature control feature checks incoming water temperature. This is normal. • While the washing machine fills, you may notice just hot and/or just cold water going through the dispenser when cold or warm temperatures are selected. This is a normal function of the automatic temperature control feature as the washing machine determines the water temperature.
Does not drain and/or spin.	<ul style="list-style-type: none"> • Check the fuse or reset the circuit breaker. • Make sure the electrical voltage is normal. • Make sure the washing machine is plugged in. • Make sure the drain hose is pointed downward. (Natural drain models only) • Make sure the drain hose is not clogged. • Make sure the drain hose is not kinked. • Straighten the drain hose. If there is a drain restriction, call for service. • Close the lid, and press START/PAUSE. For your safety, the washing machine will not spin unless the lid is closed.
Load is wet at the end of the cycle.	<ul style="list-style-type: none"> • Use the High or Extra High spin speed. (Applicable model only) • Use high efficiency (HE) detergent to reduce oversudsing. • Load is too small. Small loads (one or two items) may become unbalanced and not spin completely.

Troubleshooting

Problem	Action
Leaks water.	<ul style="list-style-type: none"> • Make sure all hose connections are tight. • Make sure the water supply hose's rubber packing is in the correct position. Screw tightly again. • Make sure the end of the drain hose is correctly inserted and secured to the drain system. • Avoid overloading. • Use high efficiency (HE) detergent to prevent oversudsing. • Make sure the water supply hose is not kinked. • If the water supply is too strong, water may leak. Close the water tap a little. • Make sure water is not leaking from the water tap. If so, repair the water tap.
Excessive suds.	<ul style="list-style-type: none"> • Use high efficiency (HE) detergent to prevent oversudsing. • Reduce the detergent amount for soft water, small loads, or lightly soiled loads. • Non-HE detergent is not recommended.
The spin basket or drain/supply hose is frozen.	<ul style="list-style-type: none"> • Use warm water to disconnect the water supply hose and drain hose. Soak them in warm water. • Fill the spin basket with warm water, and then wait for about 10 minutes. • Put a hot towel on the drain hose connector. • Reconnect the water supply hose and drain hose, and check if water is supplied properly.
Water drains out immediately.	<ul style="list-style-type: none"> • Make sure the drain hose is not clogged, and is hung over the drain hose hook. Fill the spin basket halfway with water, and try spinning again. • Lift the end of the drain hose to prevent water from draining. Fill the spin basket halfway with water, and then run spinning after releasing the drain hose. • Make sure the drain hose is installed correctly. See the installation section of this user manual and adjust the position of the drain hose as instructed.
Stains on clothes.	<ul style="list-style-type: none"> • Clean the Lint filter.
Has odours.	<ul style="list-style-type: none"> • Excessive suds collect in recesses and can cause foul odours. • Run cleansing cycles to sanitize periodically. • Dry the washing machine interior after a cycle has finished.

If a problem persists, contact a local Samsung service centre.

Information codes

If the washing machine fails to operate, you may see an information code on the display. Check the table below and try the suggestions.

Code	Action
1C	The WaterLevel sensor is not working properly. <ul style="list-style-type: none">• Check WaterLevel Sensor wire harness.• If the information code remains, contact a customer service centre.
3C	Motor problem <ul style="list-style-type: none">• Try restarting the cycle.• If the problem continues, call for service.
4C	Water is not supplied. <ul style="list-style-type: none">• Make sure the water taps are open.• Make sure the water hoses are not clogged.• Make sure the water taps are not frozen.• Make sure the washing machine is operating with sufficient water pressure.• Make sure that the cold water tap and the hot water tap are properly connected.• Clean the mesh filter as it may be clogged.
4C2	<ul style="list-style-type: none">• Make sure the cold water supply hose is firmly connected to the cold water tap. If it is connected to the hot water tap, the laundry may be deformed with some cycles.
5C	Water is not draining. <ul style="list-style-type: none">• Make sure the drain hose is not frozen or clogged.• Make sure the drain hose is positioned correctly, depending on the connection type.• Clean the debris filter as it may be clogged.• Make sure the drain hose is straightened all the way to the drain system.• If the information code remains, contact a customer service centre.

Troubleshooting

Code	Action
9C1	Electronic Control Problem (Over Voltage Error) <ul style="list-style-type: none"> • Check the PCB and wire harness. • Check if power is supplied properly. • If the information code remains, contact a customer service centre.
9C2	Low voltage detected <ul style="list-style-type: none"> • Check if the power cord is plugged in. • If the information code remains, contact a customer service centre.
9C4	DC Sensor electrical leakage problem <ul style="list-style-type: none"> • If the information code remains, contact a customer service centre.
AC6	Inverter Communication problem <ul style="list-style-type: none"> • Check the Inverter PCB and wire harness. • If the information code remains, contact a customer service centre.
dC	Operating the washing machine with the lid open. <ul style="list-style-type: none"> • Make sure the lid is properly closed. • Make sure laundry is not caught in the lid.
HC	Water temperature control problem (Heater control) <ul style="list-style-type: none"> • If the information code remains, contact a customer service centre.
LC	Check the drain hose. <ul style="list-style-type: none"> • Make sure the end of the drain hose is placed on the floor. • Make sure the drain hose is not clogged. • If the information code remains, contact a customer service centre.
OC	Water is overflowed. <ul style="list-style-type: none"> • Restart after spinning. • If the information code remains on the display, contact a local Samsung service centre.
PC	When position of the clutch can't be detected. <ul style="list-style-type: none"> • If the information code remains, contact a customer service centre.

Code	Action
PC1	<p>After position of the clutch is detected, if the signal of the clutch hall goes wrong.</p> <ul style="list-style-type: none"> If the information code remains, contact a customer service centre.
Ub	<p>Spinning does not work.</p> <ul style="list-style-type: none"> Make sure laundry is spread out evenly. Make sure the washing machine is on a flat, stable surface. Redistribute the load. If only one item of clothing needs washing, such as a bathrobe or pair of jeans, the final spin result might be unsatisfactory, and an “Ub” check message will be shown in the display.

If any information code keeps appearing on the screen, contact a local Samsung service centre.

Specifications

Specification sheet

Type		Top loading washing machine	
		WA17T6260**	WA18T6260**
Max load (kg)		17.0	18.0
Power consumption (W)	AC 220-240 V / 50 Hz	500	
Dimensions (mm)		W637 x D701 x H1095	
Net weight (kg)		45.0	
Water pressure (MPa (kg-f/cm ²))		0.05 - 0.78 (0.5 - 8.0)	
Spin speed (rpm)		700	

NOTE

- Asterisk (*) means variant model and can be varied (0-9) or (A-Z).
- The design and specifications are subject to change without notice for quality improvement purposes.
- The energy label specifications have been determined by using the following program according to IEC 60456.
 - The program is
WA18T626*** : Normal course, Water Level 5
WA17T626*** : Normal course, Water Level 5

Memo

QUESTIONS OR COMMENTS?

COUNTRY	CALL	OR VISIT US ONLINE AT
Iraq	80010080	www.samsung.com/levant/support

الغسالة

دليل المستخدم

WA17T6260**/WA18T6260**

SAMSUNG



DC68-04152F-01

المحتويات

٣	معلومات السلامة
٣	ما يجب أن تعرفه حول إرشادات السلامة
٣	رموز السلامة المهمة
٤	احتياطات السلامة المهمة
١٠	التركيب
١٠	مكونات الغسالة
١٢	متطلبات التركيب
١٣	تفاصيل عملية التركيب
٢٠	قبل بدء التشغيل
٢٠	الأساسيات
٢١	الفحص الذكي
٢٢	إرشادات الغسيل
٢٦	العمليات
٢٦	لوحة التحكم
٢٨	خطوات بسيطة لبدء التشغيل
٢٩	دورات تلقائية
٣٠	الدورات اليدوية
٣١	الصيانة
٣١	التنظيف
٣٥	استكشاف المشاكل وحلها
٣٥	تعليمات الفحص
٣٩	رموز المعلومات
٤٢	المواصفات
٤٢	بيان المواصفات

معلومات السلامة

تهانينا على شرائك غسالة Samsung الجديدة. يتضمن هذا الدليل معلومات مهمة حول عملية تركيب الجهاز واستخدامه والعناية به. لذا، يُرجى قراءة هذا الدليل بعناية لتتمكن من الاستفادة الكاملة من الميزات والفوائد العديدة المتوفرة بالغسالة.

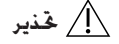
ما يجب أن تعرفه حول إرشادات السلامة

يرجى قراءة هذا الدليل بعناية لضمان معرفة كيفية تشغيل الميزات والوظائف المتعددة لغسالتك الجديدة بسلامة وفعالية. كما يجب الاحتفاظ به في مكان آمن بالقرب من الجهاز للرجوع إليه في المستقبل. لا تستخدم هذا الجهاز إلا للغرض المخصص له على النحو الموضح في دليل الإرشادات الذي بين يديك.

لا تغطي التحذيرات وإرشادات السلامة المهمة الواردة في هذا الدليل جميع الظروف والمواقف المحتمل حدوثها. لذا، يجب التعامل بحذر وانتباه وعناية عند تركيب الغسالة وصيانتها وتشغيلها. ونظرًا لأن إرشادات التشغيل التالية تنطبق على طرز متعددة، فإن خصائص الغسالة التي تستعملها قد تختلف قليلاً عن تلك المدرجة في هذا الدليل. كما أن بعض علامات التحذير المذكورة قد لا تكون ذات صلة. إذا كان لديك أي أسئلة أو استفسارات، فاتصل بأقرب مركز خدمة، أو ابحث عن التعليمات والمعلومات عبر الإنترنت على الموقع www.samsung.com.

رموز السلامة المهمة

تشير الرموز والعلامات الموجودة في دليل المستخدم الذي بين يديك إلى ما يلي:



تحذير

المخاطر أو الممارسات غير الآمنة التي قد ينتج عنها التعرض لإصابة شخصية خطيرة أو الوفاة وأو أضرار بالملكات.



تنبيه

المخاطر أو الممارسات غير الآمنة التي قد ينتج عنها التعرض لإصابة شخصية وأو أضرار بالملكات.



ملحوظة

تشير إلى وجود خطر من التعرض لإصابة شخصية أو ضرر مادي.

معلومات السلامة

تهدف علامات التحذير هذه إلى منع حدوث إصابات لك وللآخرين.

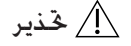
لذا، يرجى اتباعها بعناية.

وبعد قراءة هذا الدليل، احتفظ به في مكان آمن للرجوع إليه في المستقبل.

اقرأ جميع الإرشادات أولاً قبل استخدام الجهاز.

يوجد احتمال التعرض للمخاطر، كما هو الحال مع أي أجهزة تستخدم الطاقة الكهربائية والأجزاء المتحركة. ولتشغيل هذا الجهاز بأمان، يجب عليك التعرف على طريقة تشغيله وتوخي الحذر أثناء استخدامه.

احتياطات السلامة المهمة



لتقليل احتمالات نشوب حريق أو التعرض لصدمة كهربية أو حدوث إصابات جسدية للأشخاص أثناء استخدام الجهاز، اتبع احتياطات السلامة الأساسية التالية:

١. لم يتم تصميم هذا الجهاز ليستخدمه أشخاص من ذوي الاحتياجات الخاصة أو من تنقصهم المعرفة والخبرة (بما في ذلك الأطفال)، إلا إذا كانوا تحت إشراف شخص مسؤول عن سلامتهم.
٢. الاستخدام في أوروبا: يمكن أن يستخدم هذا الجهاز الأطفال الذين تبدأ أعمارهم من ٨ سنوات فيما أكثر. بالإضافة إلى الأشخاص الذين يتسمون بقدرات عضلية أو حسية أو عقلية قليلة أو أولئك الذين تنقصهم المعرفة والخبرة إذا كانوا تحت الإشراف وعلى علم بالإرشادات التي تتعلق باستخدام الجهاز بطريقة آمنة وفهم المخاطر المتضمنة في عملية الاستخدام. ويجب ألا يتم السماح للأطفال بالعبث بالجهاز. كما يجب عدم السماح للأطفال بالقيام بأعمال التنظيف أو الصيانة التي يقوم بها المستخدم دون إشراف.
٣. يجب مراقبة الأطفال لضمان عدم عبثهم بالجهاز.
٤. في حالة تلف سلك التيار الكهربائي، يجب تغييره من قبل الشركة المصنّعة أو وكيل الصيانة الخاص بها أو أي فني مؤهل لتجنب التعرض لأي خطر.

٥. يجب استخدام مجموعات الخرطوم الجديدة المرفقة بالغسالة وعدم استخدام مجموعات الخرطوم القديمة مرة أخرى.
٦. بالنسبة للغسالات التي تحتوي على فتحات تهوية بقاعدتها، تنص إرشادات التركيب على أنه يجب ألا تعوق المفروشات الأرضية الفتحات.
٧. الاستخدام في أوروبا: يجب أن يتعد الأطفال أقل من ٣ سنوات عن الغسالة ما لم يخضعوا للمراقبة اللصيقة.
٨. تنبيه: لتجنب وجود خطر بسبب إعادة الضبط غير المقصود للقاطع الحراري، يجب ألا يتم تزويد هذا الجهاز بالطاقة من خلال جهاز فصل ووصل خارجي -مثل المؤقت- أو توصيله بدائرة كهربية يتم تشغيلها وإيقاف تشغيلها بصورة منتظمة من قبل مرفق الخدمة العامة.
٩. صُمم هذا الجهاز للاستخدام المنزلي فقط ولم يتم تصميمه للاستخدام في الأماكن التالية:
- مناطق مطابخ الموظفين في المتاجر والمكاتب وبيئات العمل الأخرى؛
 - المزارع؛
 - من قبل العملاء في الفنادق والموتيلات وغيرها من البيئات السكنية؛
 - البيئات من النوع المخصص للمبيت والإفطار؛
 - مناطق الاستخدام الجماعي في المجمعات السكنية أو في المغاسل.

معلومات السلامة

تحذيرات التركيب الهامة



- يجب تركيب هذا الجهاز بواسطة فني مؤهل أو شركة صيانة متخصصة.
- قد يؤدي عدم الالتزام بهذه التعليمات إلى حدوث صدمة كهربية أو نشوب حريق أو انفجار أو مشاكل بالمنتج أو التعرض للإصابة.
- قم بتوصيل سلك التيار الكهربائي بمقبس حائط يستوفي المواصفات الكهربائية المحلية. لا تستخدم المقبس إلا لتشغيل هذا الجهاز. ولا تستخدم سلك تمديد.
- قد تؤدي مشاركة مأخذ الحائط مع أجهزة أخرى باستخدام مشترك كهرباء أو تمديد سلك التيار الكهربائي إلى حدوث صدمة كهربية أو نشوب حريق.
- تأكد من تطابق كل من الجهد الكهربائي والتردد والتيار مع القياسات الخاصة بمواصفات المنتج: قد يؤدي عدم الالتزام بذلك إلى التعرض لصدمة كهربية أو نشوب حريق. لذا، يجب التأكد من توصيل قابس التيار الكهربائي بمقبس الحائط بإحكام.
- قم بإزالة أي مواد غريبة، مثل الأتربة أو الماء من أطراف قابس التيار الكهربائي ونقاط الاتصال باستخدام قطعة قماش جافة بانتظام.
- افصل قابس التيار الكهربائي ونظفه باستخدام قطعة قماش جافة.
- قد يؤدي عدم الالتزام بذلك إلى التعرض لصدمة كهربية أو نشوب حريق.
- أدخل قابس التيار الكهربائي في مقبس الحائط بحيث يكون اتجاه السلك ناحية الأرض.
- إذا قمت بإدخال قابس التيار الكهربائي في المقبس في الاتجاه المعاكس، فقد تلف الأسلاك الكهربائية الموجودة داخل الكبل. وقد يؤدي هذا الأمر إلى حدوث صدمة كهربية أو نشوب حريق.
- يجب توصيل الجهاز بطرف أرضي بشكل سليم.
- لا تقم بتوصيل الجهاز بماسورة غاز أو ماسورة ماء بلاستيكية أو سلك تليفون.
- قد يؤدي ذلك إلى التعرض لصدمة كهربية أو نشوب حريق أو حدوث انفجار أو مشكلات بالمنتج.
- يجب عدم توصيل سلك التيار الكهربائي بمقبس لم يتم توصيله بطرف أرضي بشكل صحيح، وتأكد من أن ذلك يتم وفقاً للقوانين المحلية والدولية.
- يجب عدم تركيب هذا الجهاز بالقرب من سخان أو أي مواد قابلة للاشتعال.
- لا تضع هذا الجهاز في مكان رطب أو به زيت أو أي مكان به غبار أو في مكان عرضة لضوء الشمس المباشر أو الماء (قطرات المطر).
- يجب عدم تركيب هذا الجهاز في مكان معرض لدرجات حرارة منخفضة.
- قد يؤدي الجليد إلى انفجار الأنابيب.
- لا تستخدم محولاً كهربياً.
- قد ينتج عن هذا الأمر حدوث صدمة كهربية أو نشوب حريق.
- لا تستخدم قابس تيار كهربائي أو سلك تيار كهربائي تالفاً أو مقبس حائط غير مُحكم.
- قد ينتج عن هذا الأمر حدوث صدمة كهربية أو نشوب حريق.



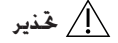
- لا تسحب سلك التيار الكهربائي أو تثنيه بشدة.
- لا تقم بلي سلك التيار الكهربائي أو ربطه.
- لا تعلق سلك التيار الكهربائي فوق شيء معدني أو تضع شيئاً ثقیلاً فوقه أو تمرر سلك التيار الكهربائي بين أشياء أو تدفعه في المساحة الموجودة خلف الجهاز.
- قد ينتج عن هذا الأمر حدوث صدمة كهربائية أو نشوب حريق.
- يجب وضع الجهاز بحيث يسهل الوصول إلى قابس التيار الكهربائي وصنابير توريد الماء وأنابيب تصريف الماء.

تنبيهات التركيب



- يجب تركيب هذا الجهاز بطريقة يمكن من خلالها الوصول إلى قابس التيار الكهربائي بسهولة.
- قد يؤدي عدم الالتزام بهذا الأمر إلى حدوث صدمة كهربائية أو نشوب حريق نتيجة لتسريب الكهرباء.

تحذيرات الاستخدام الهامة



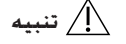
- في حالة تعرض الجهاز لكمية زائدة من الماء، أوقف توريد المياه والتيار الكهربائي بشكل فوري. واتصل بأقرب مركز خدمة.
- لا تلمس قابس التيار الكهربائي بيدين مبللتين.
- قد يؤدي عدم الالتزام بذلك إلى حدوث صدمة كهربائية.
- إذا انبعث من الجهاز صوت ضوضاء غريبة أو رائحة حريق أو دخان، فافصل قابس الطاقة على الفور. واتصل بأقرب مركز لخدمة عملاء Samsung.
- قد يؤدي عدم الالتزام بذلك إلى التعرض لصدمة كهربائية أو نشوب حريق.
- في حالة وجود تسرب للغاز (مثل غاز البروبان أو الغاز النفطي المسال، وما إلى ذلك)، يجب تهوية المكان فوراً دون لمس قابس التيار الكهربائي. ولا تلمس الجهاز أو سلك التيار الكهربائي.
- لا تستخدم مروحة تهوية.
- قد تحدث شرارة وتؤدي إلى حدوث صدمة كهربائية أو نشوب حريق.
- لا تدع الأطفال يلعبون فوق الغسالة أو بداخلها. بالإضافة إلى ذلك، عند التخلص من الجهاز، قم بإزالة الغطاء.
- فقد يُحبس الأطفال داخل الغسالة ويتعرضون للاختناق حتى الموت.
- يجب عدم غسل العناصر الملوثة بالجازولين أو الكيروسين أو البنزين أو مخفف الدهان أو الكحول أو أي مواد أخرى قابلة للاشتعال أو الانفجار.
- قد ينتج عن هذا الأمر حدوث صدمة كهربائية أو نشوب حريق أو انفجار.



معلومات السلامة

- لا تلمس قابس التيار الكهربائي بيديك مبللتين.
- قد ينتج عن هذا الأمر التعرض لصدمة كهربية.
- لا تدخل يدك أو أي شيء معدني تحت الغسالة أثناء تشغيلها.
- قد ينتج عن ذلك حدوث إصابات.
- لا تحاول إصلاح الجهاز أو فكّه أو تعديله بنفسك.
- يجب عدم استخدام أي صمام كهربائي (مثل النحاس أو سلك معدني وما إلى ذلك) بخلاف الصمام الكهربائي القياسي.
- اتصل بأقرب مركز خدمة عند الحاجة إلى إصلاح الجهاز أو إعادة تركيبه.
- قد يؤدي عدم الالتزام بهذه التعليمات إلى حدوث صدمة كهربية أو نشوب حريق أو مشاكل بالمنتج أو التعرض للإصابة.
- في هذه الحالة، سيخرج هذا المنتج من الضمان القياسي المُقدم من Samsung، ولن تتحمل الشركة مسؤولية أي أعطال أو أضرار تنتج عن ذلك.
- يجب فصل قابس التيار الكهربائي في حالة عدم استخدام الجهاز لفترات طويلة أو أثناء العواصف الرعدية أو البرق.
- قد يؤدي عدم الالتزام بذلك إلى التعرض لصدمة كهربية أو نشوب حريق.
- لا تضع يدك على حاوية العصر أثناء دورة العصر.
- قد ينتج عن ذلك حدوث إصابات. إذا لم تتوقف حاوية العصر في غضون ١٥ ثانية من فتح الغطاء، فاتصل بأقرب مركز لخدمة عملاء Samsung.
- لا تدع الأطفال (أو الحيوانات الأليفة) يلعبون داخل الغسالة أو فوقها؛
- حيث إنه لا يمكن فتح باب الغسالة بسهولة من الداخل. وقد يصاب الأطفال بإصابات بالغة الخطورة في حالة احتباسهم بداخلها.
- لا تستخدم ماء تتجاوز درجة حرارته ٥٠ درجة مئوية عند استخدام الماء الساخن بالغسالة. قد تتعرض الأجزاء البلاستيكية للتشوه أو التلف. وقد ينتج عن ذلك حدوث صدمة كهربائية أو نشوب حريق.

تنبيهات الاستخدام



- عند وجود مادة غريبة داخل الغسالة، مثل المنظفات أو الأتربة أو مخلفات الطعام وما إلى ذلك، افصل قابس التيار الكهربائي ونظّف الغسالة باستخدام قطعة قماش رطبة وناعمة.
- قد يؤدي عدم الالتزام بهذا الأمر إلى حدوث تغيير في الألوان أو التشويه أو التلف أو الصدأ.
- تم تصميم المنتج الذي قمت بشرائه للاستخدام المنزلي فقط.
- يُعد استخدام المنتج لأغراض تجارية سوء استخدام له، وفي هذه الحالة، لا تتم تغطية المنتج من خلال الضمان القياسي الذي تقدمه شركة Samsung. كما أن شركة Samsung لا تتحمل أي مسؤولية عن الأعطال أو الخسائر التي تنجم عن سوء الاستخدام.
- لا تطف فوق الجهاز أو تضع أشياء فوقه (مثل غسيل أو شموع مضاءة أو سجائر مشتعلة أو أطباق أو مواد كيميائية أو أشياء معدنية، وما إلى ذلك).
- قد ينتج عن هذا الأمر الإصابة بصدمة كهربية أو نشوب حريق أو حدوث مشاكل بالمنتج أو وقوع إصابات.
- لا تضغط على الأزرار باستخدام أدوات حادة، مثل المسامير أو السكاكين أو الأظافر، وما إلى ذلك.
- قد ينتج عن ذلك حدوث صدمة كهربية أو إصابة.

تحذيرات التنظيف الهامة



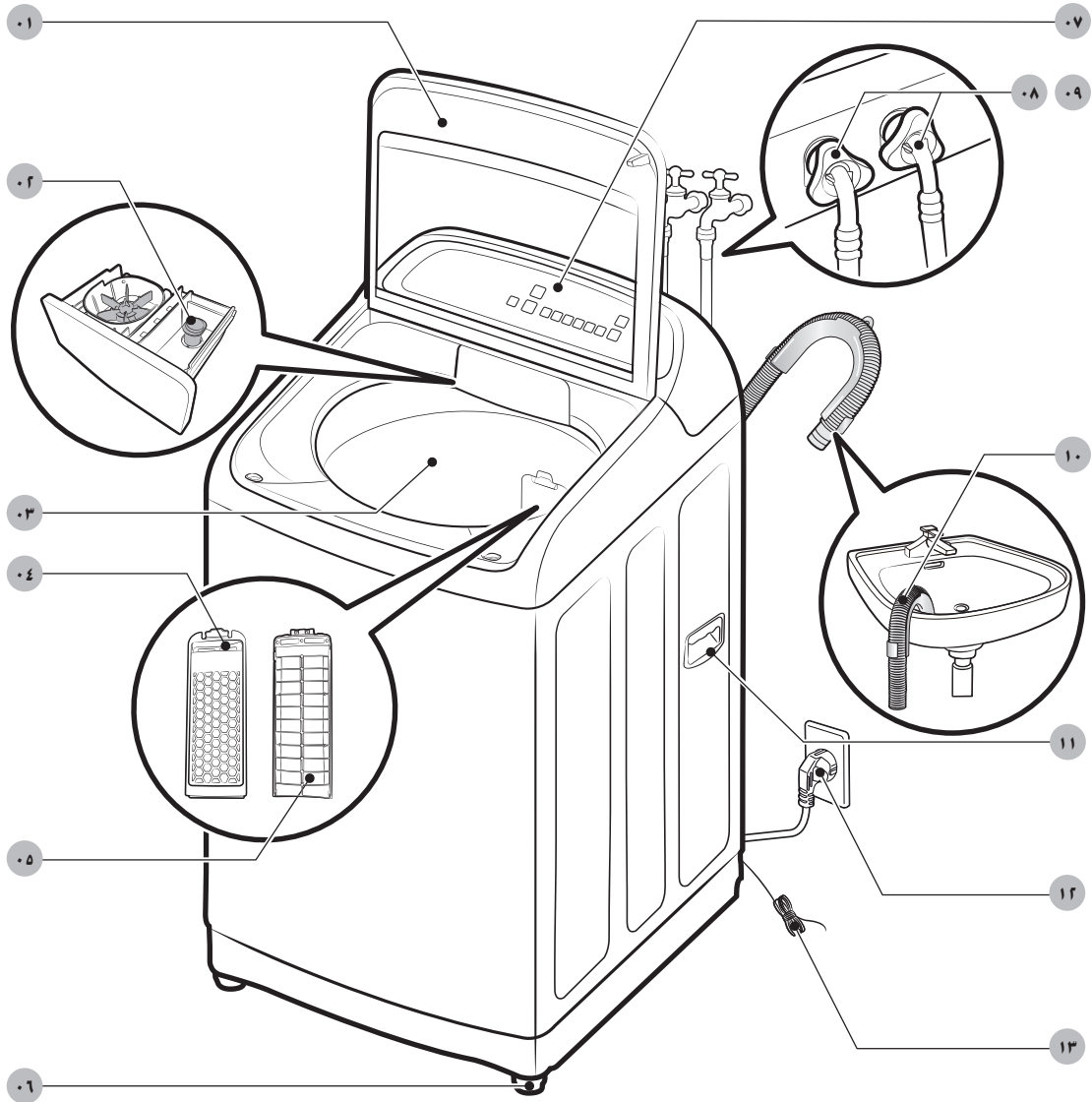
- لا تنظف الجهاز برش الماء عليه مباشرة.
- لا تستخدم منظفًا حمضيًا قويًا.
- افصل قابس الجهاز من مقبس الحائط قبل تنظيفه أو صيانته.
- قد يؤدي عدم الالتزام بذلك إلى التعرض لصدمة كهربية أو نشوب حريق.

التركيب

اتبع هذه الإرشادات بعناية لضمان التركيب السليم للغسالة ومنع وقوع حوادث أثناء الغسل.

مكونات الغسالة

تأكد من وجود جميع الأجزاء بعبوة المنتج. إذا واجهت أي مشكلة بالغسالة أو أجزائها، فاتصل بمركز خدمة عملاء Samsung المحلي أو بائع التجزئة.





٠١	الغطاء	٠٢	درج المنظف	٠٣	الحاوية
٠٤	مصفاة النسالات (الأمامية)	٠٥	مصفاة النسالات (الخلفية)	٠٦	أرجل استواء الغسالة
٠٧	لوحة التحكم	٠٨	خرطوم الماء (بارد)	٠٩	خرطوم الماء (حار) *
١٠	خرطوم الصرف	١١	مقبض جانبي *	١٢	سلك التيار الكهربائي
١٣	وصلة التأريض *				

ملحوظة

- يعتمد توفر الأجزاء التي بها علامة (*) على الطراز.
- الغطاء: تأكد من إبقاء الغطاء مغلقًا أثناء تشغيل الغسالة.
- مصفاة النسالات: جَمع النسالات التي تتراكم من الغسيل الذي تم غسله.
- وصلة التأريض: قم بتغطية هذه الوصلة إذا كانت متصلة بجزء معدني للتأريض.
- أرجل استواء الغسالة: يمكن ضبط الأرجل لضبط استواء الغسالة على أرضية مسطحة.



التركيب

متطلبات التركيب

مصدر تيار كهربائي والتوصيل بطرف أرضي



- يلزم وجود قاطع دائرة كهربائية أو منصهر بتيار متردد ٢٤٠-٢٢٠ فولت / ٥٠ هرتز.
- استخدم دائرة كهربائية فرعية منفصلة مخصصة للغسالة.
- يحظر استخدام سلك تمديد.
- استخدم فقط سلك التيار الكهربائي المتوفر مع الغسالة.
- لا توصل السلك الأرضي بمواسير بلاستيكية أو خطوط غاز أو مواسير ماء ساخن.

وضع الغسالة على سطح مستوي

- لمنع التعثر أو الضوضاء، قم بتركيب الغسالة على أرض مسطحة وصلبة بدون قواعد أو طوب.
- احتفظ بالغسالة على بُعد ١٠ سم من الحائط المجاور لها.

توريد الماء

- تأكد من سهولة الوصول إلى صنابير الماء.
- أغلق صنابير الماء في حالة عدم استخدام الغسالة.
- تحقق بشكل منتظم من عدم وجود أي تسريبات في وصلات خراطيم المياه.

التصريف

- تأكد من عدم انسداد خرطوم التصريف.
- نوصي بأن يكون ارتفاع الماسورة الرأسية ٩٠-١٠٠ سم. ويجب توصيل خرطوم التصريف من خلال مشبك الخرطوم بالماسورة الرأسية التي يجب أن تغطي هذا الخرطوم بالكامل. وتنطبق مواصفات الماسورة الرأسية المذكورة هنا فقط على الطرز التي بها مضخات.

تفاصيل عملية التركيب

الخطوة 1 خديد مكان الغسالة

متطلبات المكان:

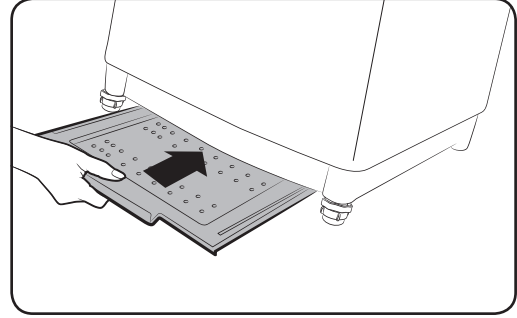
- سطح مستو وصلب بدون سجاد أو أرضية قد تعيق التهوية
- بعيد عن ضوء الشمس المباشر
- وجود مساحة كافية للتهوية والتوصيلات
- درجة الحرارة المحيطة دائمًا أعلى من درجة التجمد (٠ مئوية)
- بعيد عن أي مصدر حرارة

لوحة مانعة لدخول الفئران

تتوفر الغسالة مزودةً بلوحة مانعة لدخول الفئران. تعمل على تجنب دخول الحيوانات الصغيرة مثل الفئران إلى الغسالة. أدخل اللوحة في الجزء السفلي من الغسالة. ولتسهيل إجراء ذلك، ارفع مقدمة الجزء السفلي قليلاً.

ملحوظة

- تحتوي بعض الطرز على ميزة اللوحة المانعة لدخول الفئران التي يجب إدخالها من أسفل الجزء الخلفي للغسالة. وبالنسبة لهذا الطراز، أدخل اللوحة المانعة لدخول الفئران قبل ضبط استواء الغسالة. ولتسهيل القيام بذلك، ارفع الجزء الخلفي من الأسفل قليلاً.
- يعتمد توفر اللوحة المانعة لدخول الفئران على الطراز.

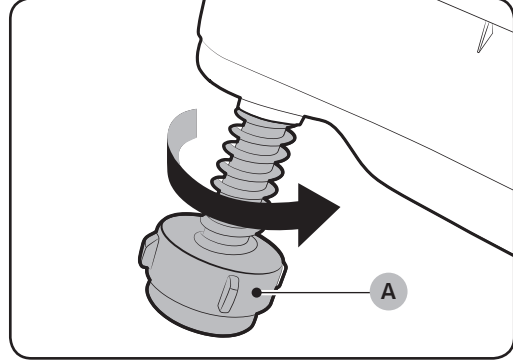


التركيب

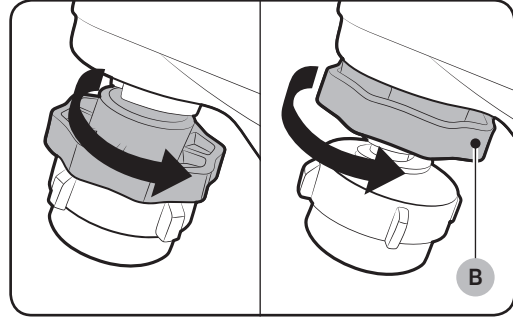
الخطوة ٢ ضبط أرجل الاستواء الغسالة

فك غلاف عبوة المنتج.

١. انقل الغسالة إلى موضعها برفق. قد يؤدي استعمال القوة الزائدة إلى تلف أرجل الاستواء (A).
٢. اضبط استواء الغسالة باستخدام أرجل الاستواء يدويًا.



٣. عند اكتمال الاستواء على الأرض، قم بإحكام ربط الصواميل (B) إذا كانت متوفرة (قد لا تتوفر الصواميل مع بعض الطرز).



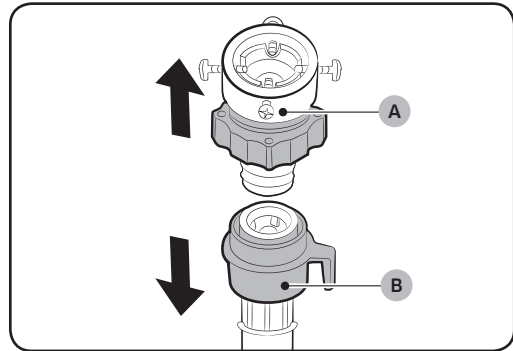
⚠ تحذير

قد تشكل مواد التغليف خطرًا على الأطفال. تخلص من تلك المواد (الأكياس البلاستيكية والبوليستيرين وغيرها من المواد) بعيدًا عن متناول الأطفال.

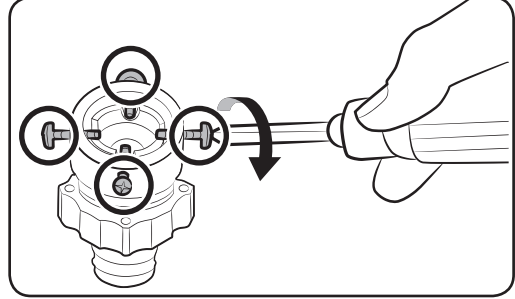
الخطوة ٣ توصيل خرطوم الماء

قم بتوصيل خرطوم الماء بصنبور الماء.

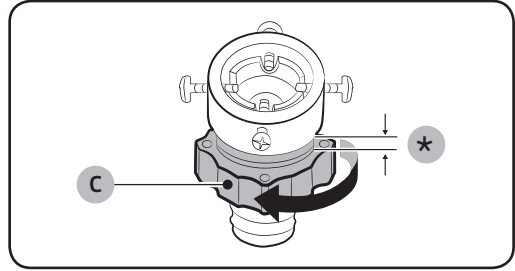
١. افصل الحمول (A) عن خرطوم الماء (B).



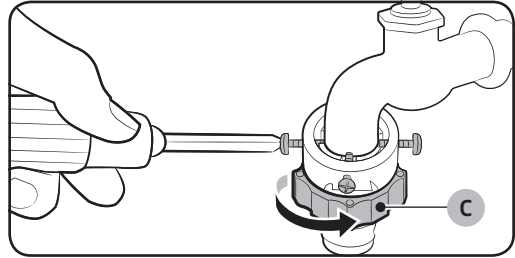
٢. فك المسامير الأربعة الموجودة بالحوّل باستخدام مفك فيليبس.



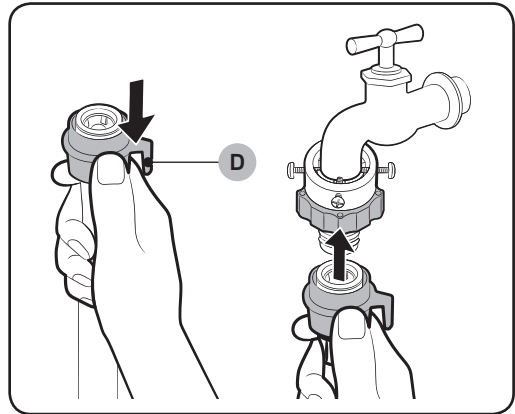
٣. أمسك الحوّل. ولف الجزء (C) باتجاه السهم لإرخائه بمقدار ٥ مم (*).



٤. أدخل الحوّل في صنوبر الماء، وأحكام ربط المسامير مع رفع الحوّل.
٥. لف الجزء (C) باتجاه السهم لإحكام ربطه.

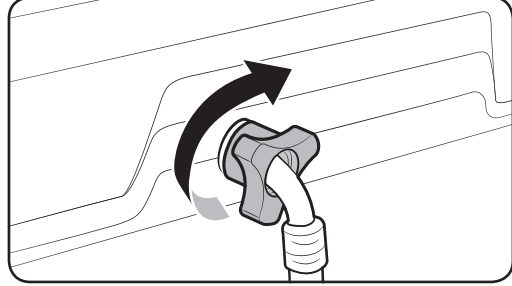


١. أثناء الإمساك بالجزء (D)، قم بتوصيل خرطوم الماء بالحوّل. وبعد ذلك، قم بفك الجزء (D). يُسمع صوت طقطقة عند تثبيت الخرطوم بالحوّل.

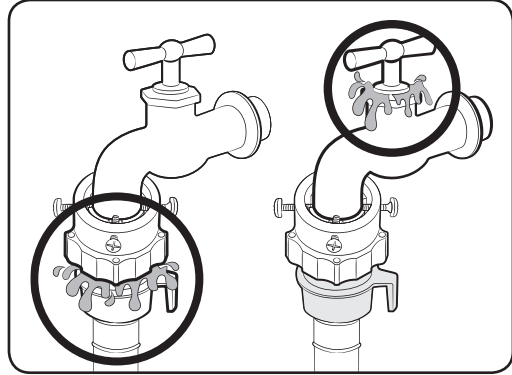


التركيب

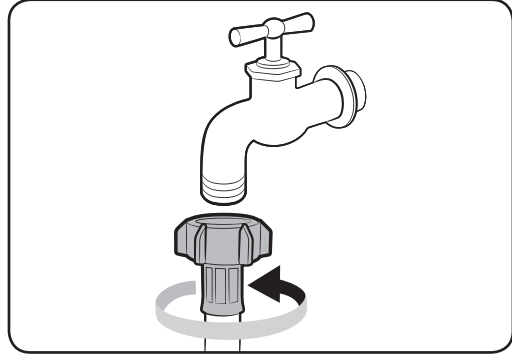
٧. قم بتوصيل الطرف الآخر من خرطوم الماء بصمام توريد المياه الموجود بالجزء الخلفي من الغسالة. لف الخرطوم باتجاه عقارب الساعة لإحكام ربطه.



٨. افتح صنبور الماء، وحقق من عدم وجود أي تسريبات حول مناطق التوصيل.
- إذا كانت هناك تسريبات للماء، فكرر الخطوات الموضحة أعلاه.



- إذا كنت تستخدم صنبور ماء من نوع لولبي، فقم بتوصيل خرطوم الماء بالصنبور كما هو موضح.



⚠️ تحذير

توقف عن استخدام الغسالة إذا كان هناك تسريب بالماء. واتصل بمركز خدمة Samsung المحلي. حيث قد يؤدي عدم الالتزام بهذا إلى حدوث صدمة كهربية.

⚠️ تنبيه

لا تمدد خرطوم الماء بالقوة. إذا كان الخرطوم قصيرًا جدًا، فاستبدله بخرطوم ضغط عالٍ أطول.



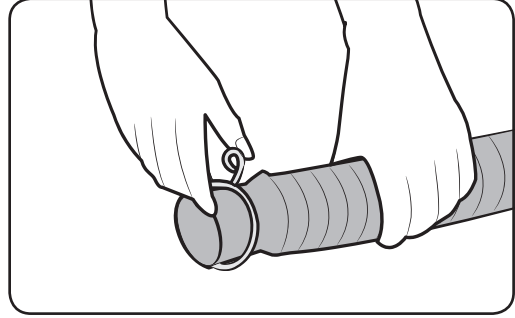
ملحوظة

- بعد توصيل خرطوم الماء بالمحْوَل، خَقِّق من توصيله بطريقة صحيحة عن طريق سحب خرطوم الماء لأسفل.
- استخدم صنوبر مياه من نوع قياسي. إذا كان الصنوبر مربع الشكل أو كبيراً جداً، فقم بإزالة حلقة المباعِدة قبل إدخال الصنوبر في المحْوَل.

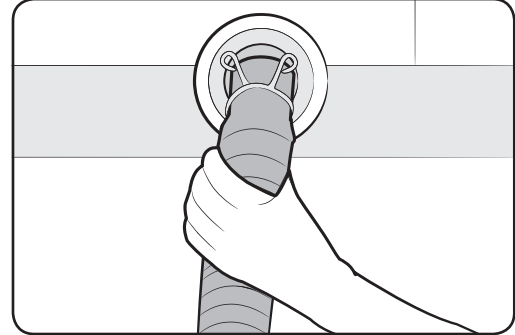
الخطوة ٤ وضع خرطوم التصريف

نوع عام

١. اضغط مطوِّلاً على حلقة الربط، وأدخلها في خرطوم التصريف.



٢. أدخل خرطوم التصريف بمنفذ التصريف. تأكد من توصليهما بإحكام باستخدام حلقة الربط. خرطوم التصريف قابل للتمديد. يمكنك تعديل طوله حسب الحاجة.



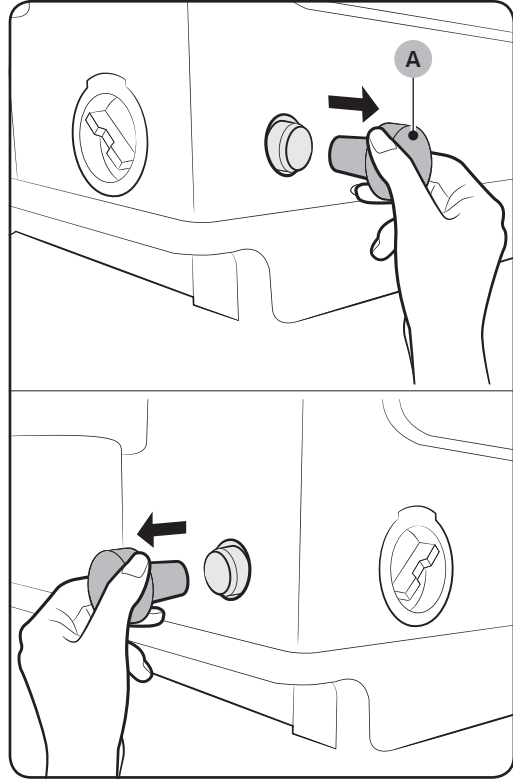
التركيب

نوع المضخة

1. افتح غطاء الخرطوم (A), وأدخل خرطوم التصريف. أحكم ربط خرطوم التصريف باستخدام حلقة الربط.

ملحوظة

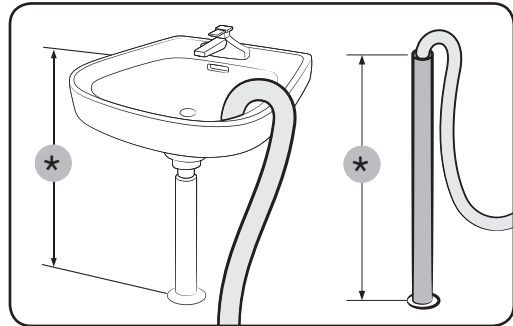
- تتوقف وضعية منفذ التصريف (جانبيية أم خلفية) على الطراز.
- يتوقف توفر غطاء الخرطوم على الطراز.



2. قم بتوصيل الطرف الآخر لخرطوم التصريف بالماسورة الرأسية أو الجوض الموجودين على بعد ٩٠-١٠٠ سم (*) من الأرض.

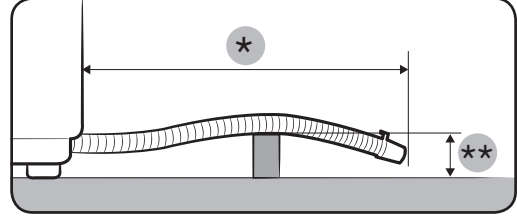
تحذير

- تأكد من عدم غمر طرف خرطوم التصريف بالماء، بخلاف ذلك، قد يحدث ضرر كبير للغسالة.

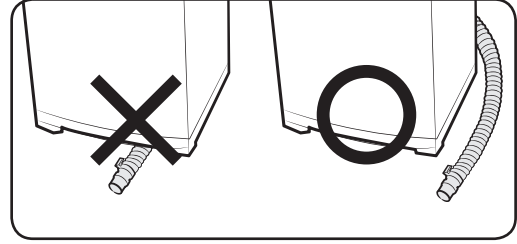


تنبيه ⚠

- يجب ألا يتجاوز الطول الكلي للخراطيم الممدودة ٣ م (*).
- لا تمر خرطوم التصريف فوق عتبة باب ترفع ٥ سم (**) أو أكثر عن الأرض.



- لا تمر خرطوم التصريف تحت الجزء السفلي من الغسالة.



الخطوة ٥ تشغيل الغسالة

قم بتوصيل سلك التيار الكهربائي بمقبس حائط يعمل بمأخذ تيار كهربائي متردد ٢٢٠-٢٤٠ فولت / ٥٠ هرتز معتمد ومحمي بواسطة منصهر أو قاطع دائرة كهربائية. ثم اضغط على زر تشغيل لتشغيل الغسالة.

قبل بدء التشغيل

الأساسيات

درج المنظف

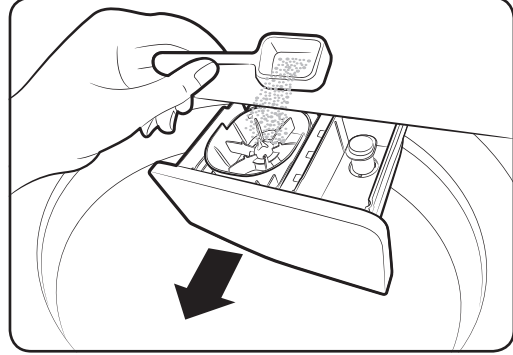
لإضافة منظف مخصص لنوع ما من الغسيل. اتبع الخطوات التالية:

١. حدد مكان درج مسحوق الغسيل وحركه حتى ينفتح.
٢. ضع مسحوق الغسيل على النحو الموصى به من قِبل الشركة المصنّعة. لا تتجاوز خط الحد الأقصى الموجود على الموزع المروحي. وإذا لزم الأمر. ضع منعم أقمشة حسب الحاجة. لا تتجاوز خط الحد الأقصى الموجود على غطاء الشطف.



تنبيه

تأكد من استخدام مسحوق الغسيل حسب الحاجة. قد لا تذوب كمية المسحوق الزائدة جيدًا.



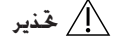
التأمين ضد عبث الأطفال

صُممت وظيفة التأمين ضد عبث الأطفال لمنع وقوع حوادث مثل غرق الأطفال صغار السن أو الرُّضع.

١. اضغط على الزر تشغيل.
٢. لتنشيط خاصية التأمين ضد عبث الأطفال. اضغط مع الاستمرار على وقت الغسيل و وقت الشطف معًا لمدة ٣ ثوان. سيومض المؤشر.
٣. لإلغاء تنشيط خاصية التأمين ضد عبث الأطفال. اضغط مع الاستمرار على وقت الغسيل و وقت الشطف معًا لمدة ٣ ثوان. ينطفئ المؤشر. إذا كانت الحاوية بها ماء. فكل ما عليك إعادة تشغيل الغسالة. ثم اضغط مطولاً على الزرين معًا لمدة ٣ ثوانٍ لإلغاء تنشيط وظيفة التأمين ضد عبث الأطفال.

أثناء تمكين وظيفة التأمين ضد عبث الأطفال

- يمكنك مواصلة استخدام لوحة التحكم أثناء غلق الغطاء. وإذا قمت بفتح الغطاء يظهر رمز معلومات (CL, dC) مصحوبًا بتنبيه. بعد ذلك تبدأ الغسالة في التصريف الإجباري للماء بعد ٣٠ ثانية لمنع حوادث غرق الأطفال صغار السن أو الرُّضع.
- وإذا تم ترك الغطاء مفتوحًا لمدة ٣٠ ثانية والحواية بها ماء. تقوم الغسالة بتصريف الماء مع ظهور الرمز "CL" الذي لا يمكنك إيقافه.
- لإضافة مسحوق أو مزيد من الغسيل في الحاوية. أو لتغيير إعدادات الدورة. يجب أولاً إلغاء تنشيط وظيفة التأمين ضد عبث الأطفال.



إذا قمت بفتح الغطاء في أثناء تفعيل وظيفة التأمين ضد عبث الأطفال. تبدأ الغسالة في التصريف الإجباري للماء لمنع حوادث مثل الغرق.

ملحوظة

تظل وظيفة التأمين ضد عبث الأطفال نشطة بعد إيقاف تشغيل الغسالة. لا يمكنك إلغاء تنشيط وظيفة التأمين ضد عبث الأطفال طالما أن الرمز "CL" يظهر على شاشة العرض. لكن يمكنك إلغاء التنشيط عندما يظهر رمز "dC" عن طريق الضغط مع الاستمرار على الزرين معًا.

الفحص الذكي

لتمكن من هذه الوظيفة. يجب أولاً تنزيل التطبيق Samsung Smart Washer من Play Store أو Apple Store. ثم تثبيته على جهاز محمول يتميز بوظيفة الكاميرا.

ملحوظة

- قد يختلف اسم الوظيفة الفحص الذكي باختلاف اللغة.
- في حالة انعكاس ضوء قوي على لوحة عرض الغسالة. قد يتعذر على التطبيق التعرف على رمز المعلومات.
- إذا تعذر على التطبيق رمز الفحص الذكي تبعاً. فأدخل رمز المعلومات يدوياً على شاشة التطبيق.

تم تطوير الوظيفة الفحص الذكي لسلاسل أجهزة iPhone و Galaxy (الطراز الملائمة فقط).

1. اضغط مع الاستمرار على وقت الشطف و وقت الدوران معاً لمدة 3 ثوانٍ للدخول إلى وضع الفحص الذكي.
2. تبدأ الغسالة في إجراء التشخيص الذاتي. وتعرض رمزاً للمعلومات في حالة اكتشاف أي مشكلة.
3. قم بتشغيل التطبيق Samsung Smart Washer على جهازك المحمول. ثم انقر فوق الفحص الذكي.
4. ضع الجهاز المحمول بالقرب من لوحة عرض الغسالة. حيث يكون الجهاز المحمول مواجهاً للغسالة. وبعد ذلك. سيتعرف التطبيق تلقائياً على رمز المعلومات.
5. عند التعرف على رمز المعلومات بشكل صحيح. يوفر التطبيق معلومات تفصيلية حول المشكلة. بالإضافة إلى تقديم الحلول الممكنة.

قبل بدء التشغيل

إرشادات الغسيل

تعليمات الفحص

- افحص وجود بقع أو أوساخ. ضع قليلاً من مسحوق الغسيل على منشفة بيضاء. افرك المنشفة البيضاء والملابس المتسخة معاً للتخلص من الأوساخ أو الألوان الموجودة بالملابس.
- قبل بدء الغسل. يجب معالجة الأساور والياقات وثنيات الفساتين والجيوب مسبقاً من خلال فركها بمسحوق التنظيف.
- يجب التعامل مع الأقمشة المصنوعة من الصوف وذات التصميم المتجدد بشكل خاص. وذلك بربطها بالخيوط قبل الغسل. ثم قم بإزالة الخيوط بعد اكتمال الغسل والتجفيف.

تنبيه

- لا تضع البطاطين أو ختفظ بها في الحاوية.
- لا تضع الشموع أو أي مصدر آخر للهب فوق الغسالة أو بداخلها.
- لا تقم بغسل الملابس التالية:
- أربطة العنق وحمالات الصدر والسترات والبدل والمعاطف؛ حيث قد تتلف إما عن طريق الانكماش أو تغير لونها الخارجي. فمعظم هذه الملابس مصنوعة من الحرير الصناعي أو الفسكوز أو الألياف أو مشتقاتها من الألياف المختلطة أو جميع ما سبق.
- يمكن أن تتعرض الملابس ذات التصميم المتجدد أو المنقوشة أو المعالجة بالراتنج للتلف حتى بمجرد النقع في الماء.
- أما الملابس التي تفقد ألوانها بسهولة فهي المصنوعة من القطن والصوف والحرير المتجدد والملابس والإكسسوارات الجلدية والملابس والإكسسوارات المطعمة بالجلد.
- الملابس المقاومة للماء والمراتب أو الأحففة الصوف والأغطية المقاومة للأمطار والسترات والسراويل الخاصة بالصيد وملابس التزلج وحقائب النوم وأغطية الحفاضات والملابس الرياضية والأغطية الخاصة بالسيارات والدراجات النارية وسجاد الحمام والعناصر الأخرى المقاومة للماء.



الخطوة ١ الفرز

افرز الملابس المطلوب غسلها وفقاً للمعايير التالية:

- بطاقة العناية: افرز الملابس في مجموعات للأقطان والألياف الخلوطة والمواد الاصطناعية والحرير والأصواف والحرير الاصطناعي (الرايون).
- اللون: افصل الملابس البيضاء عن الملابس الملونة.
- الحجم: يؤدي خلط قطع الملابس ذات الأحجام المختلفة في الحاوية إلى تحسين مستوى أداء الغسل.
- الحساسية: اتبع التعليمات الخاصة بالأقمشة على ملصق العناية الموجود على الملابس الرقيقة مثل الملابس الصوفية الخالصة والجديدة والسنتائر والملابس الحريرية.

ملحوظة

تأكد من مراجعة ملصقات العناية الموجودة على الملابس. وافرز قطع الملابس وفقاً لها قبل بدء الغسل.

الخطوة ٢ إفراغ الجيوب

أفرغ كل جيوب الملابس المطلوب غسلها. وقم بإزالة القاذورات وأو الأثرية منها.

- قد يؤدي وجود أجسام معدنية مثل العملات المعدنية والدبابيس والإبرعات إلى تلف الملابس وحاوية الغسيل أيضاً.
- اقلب الملابس ذات الأزرار والملابس المطرزة على باطنها.
- إذا تركزت سحّابات السراويل أو السترات مفتوحة أثناء الغسل. فإن هذا قد يتسبب في تلف الحاوية.
- يجب غلق السحّابات وتثبيتها بشريطة.
- قد تتشابك الملابس ذات الأشرطة الطويلة مع ملابس أخرى. احرص على ربط الأشرطة قبل الغسل.

الخطوة ٣ استخدام شبكة غسيل أو اغسل بعض العناصر على حدة

- يجب وضع حمالات الصدر (التي يمكن غسلها بالماء) في شبكة الغسيل: حيث قد تنكسر الأجزاء المعدنية الموجودة في حمالات الصدر مما يؤدي إلى تمزيق قطع أخرى من الغسيل.
- قد تطفو الملابس الكشميرية وذات الأحجام الكبيرة والأوزان الخفيفة (على سبيل المثال. الملابس المزينة بالدانتيل وملابس النساء الداخلية والجاوراب النايلون والأقمشة الصناعية وما إلى ذلك) على سطح الماء أثناء الغسل. وتتسبب في حدوث مشكلات للغسالة. استخدم شبكة الغسيل أو اغسل الملابس كل على حدة.
- لا تغسل شبكة الغسيل وحدها دون وجود ملابس بها: فقد يؤدي ذلك إلى حدوث اهتزازات غير طبيعية في الغسالة وحدوث إصابات.



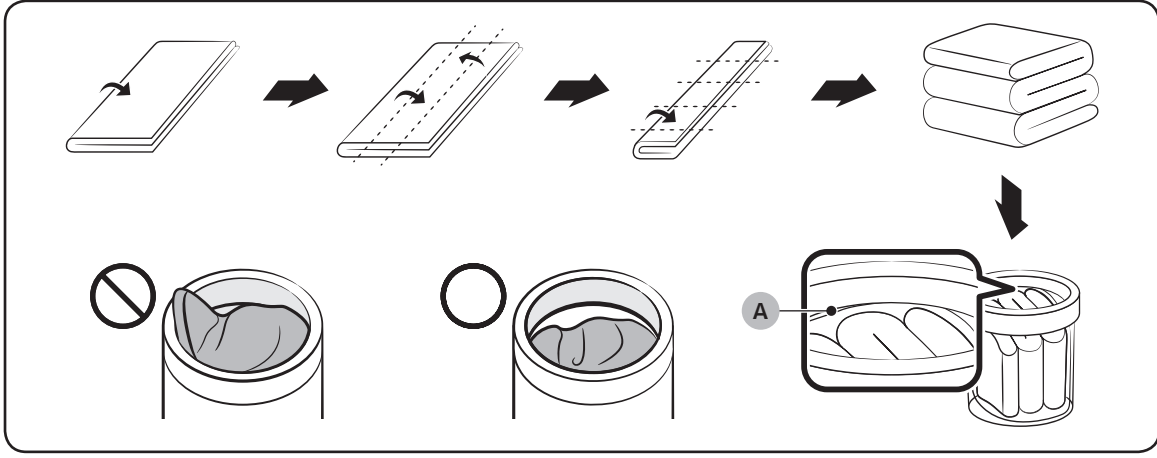
قبل بدء التشغيل

⚠ تنبيه

- تأكد من نزع العناصر القابلة للنفخ (مثل البطانيات والأخففة المحشوة بالقطن والأخففة ذات الألياف الدقيقة) في الماء قبل بدء cycle (الدورة).
- قد تسبب العناصر القابلة للنفخ في ضرر للغسيل أو الجهاز أثناء عملية الغسل أو التجفيف.
- بغض النظر عن الحجم، يُعتبر غسل البطاطين والأخففة كل على حدة أكثر أماناً ونظافة. قد يؤدي وضع بطانتين بحجمين مختلفين في الغسلة نفسها إلى تقليل كفاءة عملية التجفيف بسبب عدم توازن حمل الغسيل.

إدخال بطانية

قم بطي البطانية كما هو موضح، ثم ضعها على المنطقة البلاستيكية (A) من الحاوية قبل إدخالها في الحاوية.



الخطوة ٤ الغسل الأولي (عند الضرورة)

- لإزالة أي بقع أو أوساخ على الياقات والأكمام والثنيات والجيوب، ضع بعضاً من المسحوق عليها وافركها.
- يمكن استخدام المنظفات السائلة أو المساحيق. لا تستخدم الصابون: حيث قد يترسب في الحاوية بعد الانتهاء من الغسل.
- اغسل الجوارب البيضاء والأساور والياقات بفرشاة وقليل من المسحوق غسلاً أولياً.

⚠ تنبيه

- تأكد من إدخال الغسيل بالكامل.
- قد يتسبب وجود جزء مكشوف من الغسيل في ضرر للجهاز أو الغسيل نفسه أو تسرب الماء.
- تأكد من أن حجم الملابس لا يزيد عن حاجة المنطقة البلاستيكية (A) كما في الشكل أعلاه.



الخطوة ٥ خديد سعة التحميل المناسبة

تأكد من أن الملابس لا تزيد عن حاجة المنطقة البلاستيكية (A) كما بالشكل الموضح بالصفحة ٢٤. وإلا، سيؤدي ذلك إلى عدم قيام الغسالة بالغسيل بشكل صحيح أو إلى تلف الغسالة أو الغسيل نفسه أو إلى تسرب الماء.

ملحوظة

عند غسل المفروشات أو أغطية اللحاف، قد تطول مدة الغسل أو تقل فعالية عملية الدوران. للشراشف أو أغطية الشراشف، يوصى بأن تكون سعة الحمولة ٣,٥ كجم أو أقل.

تنبيه

في حالة عدم توازن الغسيل وظهور رمز المعلومات "Ub"، أعد توزيع حمل الغسيل. قد يقلل عدم توازن الغسيل من كفاءة العصر. ويؤدي إلى تلف الغسالة أو الغسيل نفسه.

الخطوة ٦ استخدام نوع منظف مناسب

يعتمد نوع المنظف على نوع القماش (القطن أو الألياف الصناعية أو الأنسجة الرقيقة أو الأصواف) والألوان ودرجة حرارة الماء ودرجة الاتساح. استخدم نوعاً منظف غسيل ذا "رغوة قليلة" مصمم خصيصاً للغسالات الأوتوماتيكية.

تنبيه

- استخدم كمية مناسبة من المسحوق؛ فالإفراط في كميات المسحوق المستخدمة لا يؤدي إلى تحسين نتائج الغسيل، بل على العكس. بسبب ذلك الإضرار بالغسيل نتيجة لانخفاض كفاءة الشطف.
- مواد التبييض بطبيعتها مواد شديدة القلوية، لذا فهي تتسبب في الإضرار بالملابس أو تغيير ألوانها.
- شغل دورات شطف أطول أو إضافية عند استخدام المسحوق؛ حيث يُحتمل بقاءه على الملابس؛ وذلك بسبب روائح كريهة بعد اكتمال عملية الغسل.
- إذا تم استخدام كمية إضافية من المسحوق في الماء البارد بوجه خاص، فلن يذوب المسحوق بالكامل. مما قد يسفر عن وجود ملوثات على الملابس أو الخراطيم أو الحاوية أو كل ما سبق.
- في حالة الغسل المزدحم زمنياً، لا تضع المسحوق على الملابس أو الحاوية مباشرة؛ فقد تتغير ألوان الملابس. لذا، استخدم درج مسحوق الغسيل.
- عند تشغيل دورة الصوف لغسل الملابس الصوفية، استخدم مسحوق تنظيف عادي لتجنب تغيير ألوان الملابس.

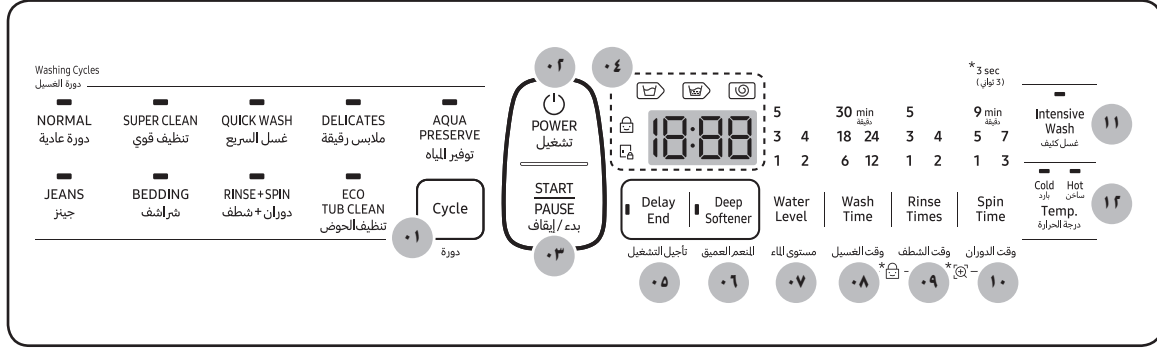
ملحوظة

- اتبع توصيات الشركة المصنعة للمنظف بخصوص وزن الملابس ودرجة الاتساح وما إذا كان الماء عسراً في منطقتك أم لا. إذا لم تكن متأكدًا من عسر الماء، فاتصل بالهيئة المحلية المسؤولة عن الموارد المائية لديك.
- لا تستخدم منظفًا صلبًا أو خشنًا؛ حيث قد يترسب هذا المنظف بعد عملية الشطف ويتسبب في انسداد مخرج التصريف.



العمليات

لوحة التحكم

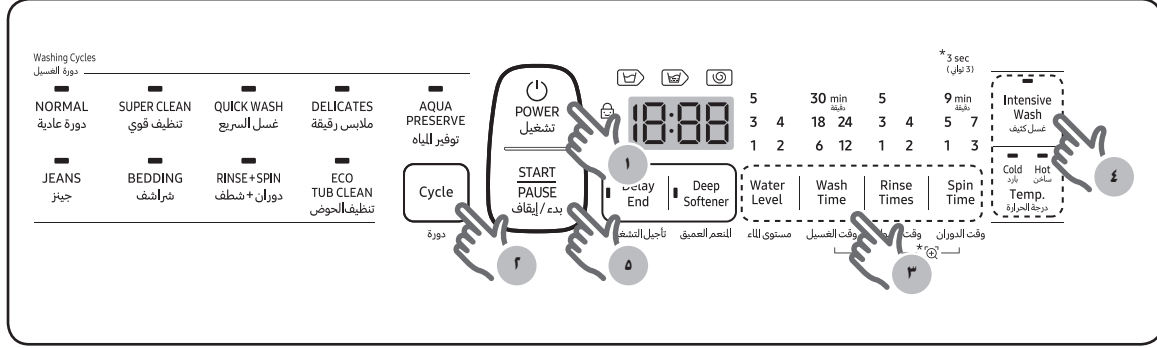


01 دورة	اضغط لتحديد دورة المطلوبة. سيضيء مؤشر دورة المحددة.
02 تشغيل	اضغط على هذا الزر لتشغيل/إيقاف تشغيل الغسالة.
03 بدء/إيقاف	اضغط على هذا الزر لبدء التشغيل أو إيقافه.
04 الشاشة	تعرض الشاشة معلومات الدورة الحالية، والوقت المتبقي المقدّر، أو رمز معلومات في حالة ما إذا كانت الغسالة بحاجة إلى الفحص.
05 تأجيل التشغيل	اضبط الغسالة للانتهاء من عملية الغسل بشكل تلقائي في وقت لاحق. اختر تأجيل الوقت من ساعة حتى ٢٤ ساعة (بزيادة ساعة واحدة).
06 المنعم العميق	يضيف مرة شطف إضافية في نهاية الدورة لإزالة إضافات الغسيل والعطور تمامًا. • بعد استخدام خيار المنعم العميق، عند التجفيف بمجفف، قد تظل رائحة بسيطة في الأقمشة. • قد تنخفض رائحة منقي الأقمشة عند استخدامه مع منظف ذو رائحة قوية.
07 مستوى الماء	اضغط على هذا الزر لتغيير مستوى الماء الافتراضي للدورة المحددة.
08 وقت الغسيل	اضغط على هذا الزر لتغيير وقت الغسيل الافتراضي للدورة المحددة.
09 وقت الشطف	اضغط على هذا الزر لتغيير عدد مرات الشطف الافتراضية للدورة المحددة.
10 وقت الدوران	اضغط على هذا الزر لتغيير وقت الدوران الافتراضي للدورة المحددة.

١١ غسل كثيف	اضغط على هذا الزر مع الملابس المتسخة بشدة والتي تحتاج إلى الغسل بكثافة. ستتم زيادة مدة الدورة في حالة تشغيل غسل كثيف.
١٢ درجة الحرارة	اضغط للتبديل بين وضعين مختلفين لدرجة حرارة الماء. بارد: للألوان الزاهية، والملابس قليلة الاتساخ. ساخن: للملابس ذات الألوان الثابتة.

العمليات

خطوات بسيطة لبدء التشغيل



١. اضغط على الزر تشغيل لتشغيل الغسالة.
٢. اضغط دورة لتحديد دورة المطلوبة.
٣. قم بتغيير إعدادات الدورة (مستوى الماء و وقت الغسيل و وقت الشطف و/أو وقت الدوران) إذا لزم الأمر.
٤. لإضافة خيار مثل: غسل كثيف و درجة الحرارة. اضغط على الزر المقابل.
٥. اضغط على الزر بدء/إيقاف.

لتغيير الدورة أثناء التشغيل

١. اضغط على الزر بدء/إيقاف لإيقاف عملية الغسل.
٢. حدد دورة مختلفة. وكرر الخطوتين ٢ و ٤ أعلاه إذا لزم الأمر.
٣. اضغط الزر بدء/إيقاف مرةً أخرى لبدء الدورة الجديدة.

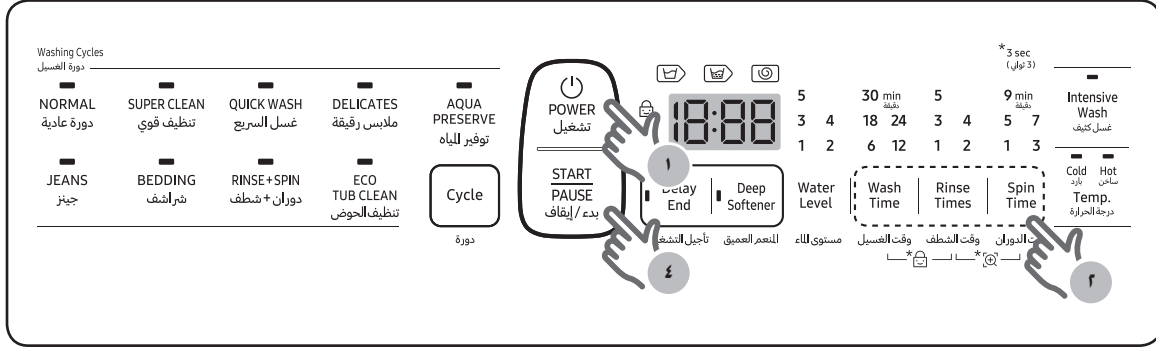
دورات تلقائية

الوصف	دورة
للملابس القطنية أو أغطية الأسرة أو مفارش المناضد أو الملابس الداخلية أو المناشف أو القمصان. يتم ضبط وقت الغسل وعدد مرات الشطف تلقائيًا وفقًا للحمولة.	دورة عادية
دورة مناسبة للحصول على أفضل أداء للتنظيف.	تنظيف قوي
للملابس خفيفة الاتساخ التي تحتاجها بسرعة.	غسل السريع
للأقمشة الخفيفة وحملات الصدر وملابس النساء الداخلية (الحريرية) والأقمشة الأخرى التي يتم غسلها يدويًا فقط.	ملابس رقيقة
دورة تلائم الملابس التي تتطلب غسلًا شاملاً.	جينز
<ul style="list-style-type: none"> • للقطع كبيرة الحجم مثل: الأحففة، والبطاطين، والملاءات. • للحصول على أفضل نتائج؛ قم بغسل نوع واحد فقط من الشراشف. 	شراشف
<ul style="list-style-type: none"> • بالنسبة للأحمال التي تحتاج إلى شطف ودوران فقط. • يمكنك أيضًا استخدام هذه الدورة لتوفير شطف ودوران إضافيان بعد تشغيل الدورات الأخرى. 	دوران+شطف
استخدم هذه الدورة لتنظيف الحاوية: تزيل قوة الدوران السريع الفعالة كل الرواسب والروائح الكريهة من الحوض.	تنظيف الحوض
شغّل هذه الدورة إذا أردت توفير الماء للاستخدام مرة أخرى. فالماء المستخدم في عملية الشطف ستم إعادة استعماله في العملية التالية.	توفير المياه

العمليات

الدورات اليدوية

ربما تريد تشغيل دورة واحدة لغسل الملابس قليلة الاتساخ. كتشغيل دورة الغسل مرة واحدة للملابس النوم على سبيل المثال.



1. اضغط على الزر تشغيل لتشغيل الغسالة.
2. اضغط على وقت الغسيل، وقت الشطف، وقت الدوران لتشغيل الدورة الفردية التي تلائم احتياجاتك. يمكن ضبط مدة كل دورة أو عدد لفاتها بالضغط على الزر المناسب أكثر من مرة حسب الحاجة.

وقت الدوران	وقت الشطف	وقت الغسيل
٩, ٧, ٥, ٣, ١ دقائق	من ١ إلى ٥ مرات	من ٦ إلى ٣٠ دقيقة

3. إذا أردت تشغيل أكثر من دورة معاً، فاضغط على أزرار الدورات المطلوب تشغيلها على النحو التالي:

غسيل + شطف	شطف + دوران	غسيل + شطف + دوران
الشطف بعد الغسيل	العصر بعد الشطف	الغسيل ثم الشطف ثم العصر على التوالي

4. اضغط على الزر بدء/إيقاف.

الصيانة

التنظيف

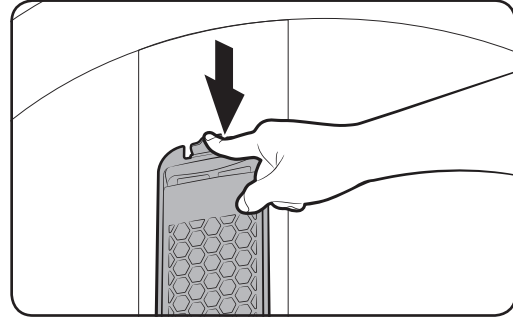
حافظ على الغسالة نظيفة لمنع تدهور مستوى الأداء ولإطالة عمرها الافتراضي.

تذكير تنظيف الحوض

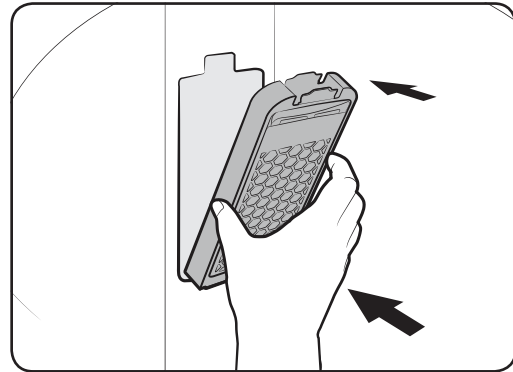
- يومض مؤشر تنظيف الحوض على لوحة التحكم لتذكيرك بتنظيف الحوض. إذا رأيت المؤشر يومض بعد انتهاء دورة، فقم بإخراج الملابس وشغّل دورة تنظيف الحوض.
- يمكنك عدم الاكتراث لهذا التذكير ومتابعة تشغيل الدورات بشكل طبيعي: حيث إن هذا لا يعد خطأ في النظام. ومع ذلك، يظل التذكير نشطاً لست دورات متتالية بعد اكتمال كل دورة.
- يتم تنشيط التذكير مرة واحدة في فترة من 1 إلى 3 شهور. وذلك حسب عدد الدورات.
- للحفاظ على الحاوية نظيفة، يوصى بتشغيل تنظيف الحوض بانتظام.

مصفاة النسالات

1. اضغط لأسفل على المنطقة العليا بحاوية المصفاة لإزالتها.
2. قم بإزالة الغطاء وتنظيف المصفاة بالماء الجاري والفرشاة.



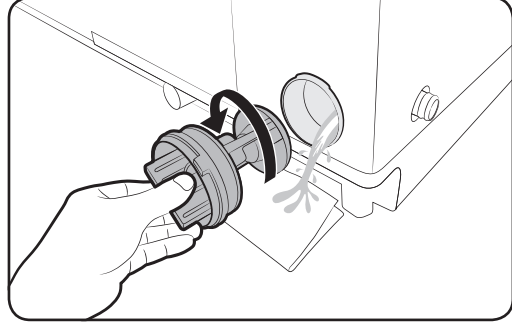
3. عند الانتهاء من التنظيف، أغلق الغطاء وأعد إدخال حاوية المصفاة في موضعها الأصلي. ستسمع صوت طقطقة عند إدخال حاوية المصفاة بشكل صحيح.



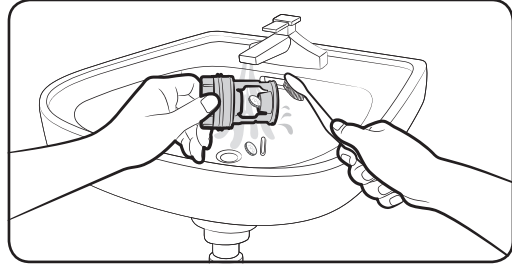
الصيانة

مصفاة المضخة (الظنر الملائمة فقط)

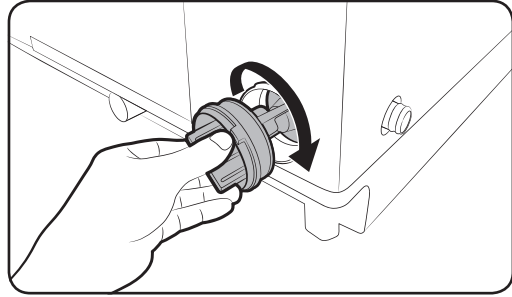
1. ضع منشفة أو منشفة تحت مصفاة المضخة. قم بلف مقبض المصفاة في اتجاه عقارب الساعة لإخراجه.



2. نظّف المصفاة بالماء الجاري وفرشاة ناعمة.

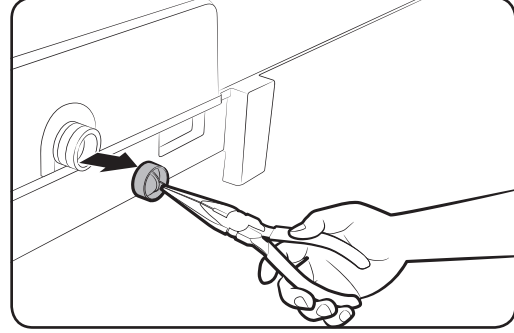


3. أعد إدخال المصفاة. وقم بلف مقبض المصفاة في اتجاه عقارب الساعة حتى تستقر في مكانها.

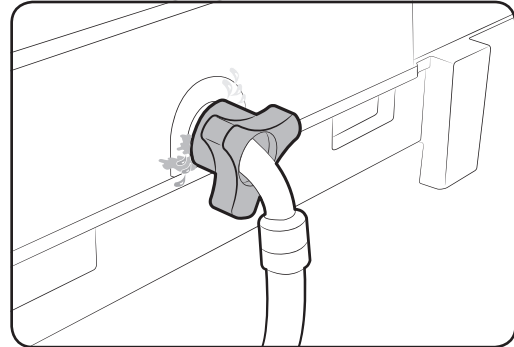
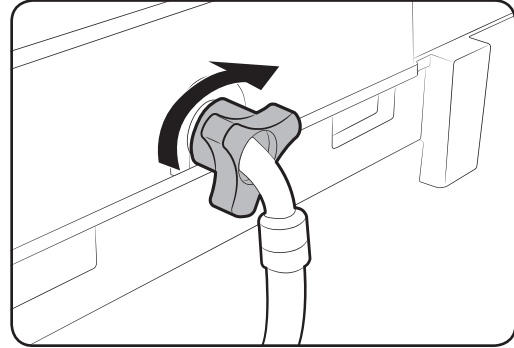


المصفاة الشبكية

1. استخدم الزردية لنزع المصفاة الشبكية من داخل منفذ توريد الماء كما هو موضح.
2. استخدم فرشاة ناعمة لتنظيف المصفاة مع الماء الجاري.



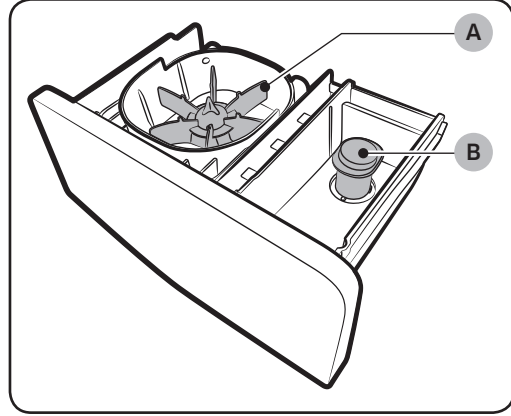
3. أعد إدخال المصفاة. تأكد من إدخال المصفاة بإحكام لمنع تسرب الماء.



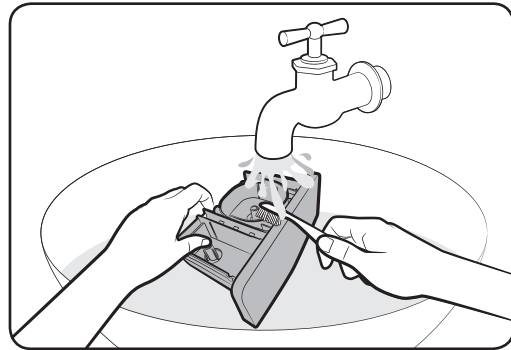
الصيانة

درج المنظف

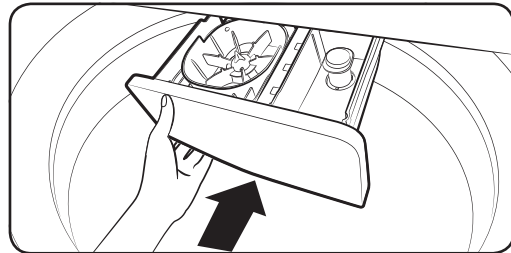
١. ارفع الحافة الأمامية للدرج برفق، ثم اسحبه للخارج.
٢. قم بإزالة الموزع المروحي (A) و غطاء الشطف (B) من الدرج.



٣. نطّف كلاً من الدرج والموزع المروحي وغطاء الشطف بالماء الجاري وفرشاة ناعمة.



٤. عند الانتهاء، أغلق غطاء الشطف، وأعد إدخال الموزع المروحي. بعد ذلك، أعد إدخال درج المسحوق.



استكشاف المشاكل وحلها

تعليمات الفحص

إذا واجهت مشكلة مع الغسالة، فراجع الجدول التالي أولاً، وجرب الاقتراحات الواردة به.

المشكلة	الإجراء
الغسالة لا تعمل.	<ul style="list-style-type: none"> • تأكد من استخدام الطاقة المقدّرة للمنتج. • تأكد من توصيل سلك التيار الكهربائي بمصدر الطاقة. • افحص المنصهر أو أعد تشغيل قاطع الدائرة الكهربائية.
الغسالة لا تبدأ الغسل.	<ul style="list-style-type: none"> • تأكد أن الغطاء مغلق. • تأكد أن صنابير الماء مفتوحة. • تأكد من الضغط فوق الزر بدء/إيقاف لبدء تشغيل الغسالة. • تأكد من عدم تنشيط وظيفة التأمين ضد عبث الأطفال. • قبل أن تبدأ الغسالة في ملء الماء، ستصدر سلسلة من أصوات الطقطقة للتحقق من تفعيل قفل الباب والتصريف بسرعة. • هل تم فتح الغطاء أثناء دورة العصر؟ أغلق الغطاء، واضغط فوق الزر بدء/إيقاف لمتابعة التشغيل. • الغسالة في وضع الاستعداد أو في دورة النقع. يُرجى الانتظار. • افحص المنصهر أو أعد تشغيل قاطع الدائرة الكهربائية.
لا يتم تزويد الماء.	<ul style="list-style-type: none"> • تأكد من الضغط فوق الزر بدء/إيقاف بعد تحديد تزويد الماء. • تأكد أن صنابير الماء مفتوحة. • هل شبكة المصفاة الموجودة في وصلة خرطوم توريد الماء مسدودة؟ نظّف شبكة المصفاة بفرشاة أسنان. • هل تم إيقاف توريد الماء؟ في حالة توقف توريد الماء مؤقتًا، أغلق الصنبور، وافصل الطاقة. • فك ثنيات خرطوم توريد الماء. • افتح الغطاء واغلقه، ثم اضغط فوق بدء/إيقاف. • إذا كان ضغط الماء منخفضًا، فستستغرق الغسالة وقتًا أطول حتى تبدأ الغسل. • إذا كان مستوى الماء ليس عاليًا على النحو المطلوب أو أقل من المتوقع، فاستخدم محدد مستوى الماء لضبط منسوب الماء.
بعد انتهاء دورة غسل، يبقى المنظف في الموزع التلقائي.	<ul style="list-style-type: none"> • تأكد من تشغيل الغسالة بضغط ماء كافٍ. • تأكد من إدخال درج المسحوق بشكل صحيح. • أخرج درج المسحوق ونظفه، ثم أعد المحاولة.

استكشاف المشاكل وحلها

المشكلة	الإجراء
الغسالة تهتز بشدة أو تحدث ضجيجًا.	<ul style="list-style-type: none"> • تأكد من وضع الغسالة على أرض مستوية. إذا كانت الأرض غير مستوية. فاستخدم أرجل استواء الغسالة لضبط استوائها. • تأكد من عدم ملامسة الغسالة لأي شيء آخر. • تأكد من موازنة حمولة الغسيل. • تأكد من توزيع الغسيل بالتساوي في الغسالة. ورّع الغسيل بالتساوي. وابدأ تشغيل الغسالة مرة أخرى. • تأكد أن المساحة المحيطة بالغسالة خالية من أي شيء. • تصدر الغسالة صوت طنين بشكل طبيعي أثناء التشغيل. • قد تصدر بعض الأغراض كالعملات المعدنية ضجيجًا. قم بإزالة هذه الأغراض من الغسالة بعد اكتمال عملية الغسل.
الغسالة تتوقف عن العمل.	<ul style="list-style-type: none"> • قم بتوصيل سلك التيار الكهربائي بأخذ تيار كهربائي مباشر. • افحص المنصهر أو أعد تشغيل قاطع الدائرة الكهربائية. • أغلق الغطاء. واضغط فوق الزر بدء/إيقاف لبدء تشغيل الغسالة. من أجل سلامتك. لن تقوم الغسالة بالدوران إلا إذا كان الغطاء مغلقًا. • قبل أن تبدأ الغسالة في ملء الماء. ستصدر سلسلة من أصوات الطقطقة للتحقق من تفعيل قفل الباب والتصريف بسرعة. • وقد تكون هناك فترة توقف أو نقع أثناء الدورة. انتظر قليلاً. فقد تبدأ الغسالة في العمل. • تأكد من عدم انسداد الفلاتر الموجودة في الخراطيم وصنابير المياه. نظّف الفلترين بشكل منتظم. • حدثت هذه المشكلة بشكل مؤقت بسبب الجهد الكهربائي المنخفض. وسيتم حلها عند رجوع التيار.

الإجراء	المشكلة
<ul style="list-style-type: none"> افتح صنبوري الماء بالكامل. تأكد من تحديد درجة الحرارة بشكل صحيح. تأكد من توصيل الخرطوم بـصنابير الماء الصحيحة. تأكد من تدفق المياه في الوصلات. افصل الخرطوم ونظف الحواجز. فقد يكون فلتر الخرطومين مسدودين. أثناء ملء الغسالة، قد تتغير درجة حرارة الماء نظرًا لأن ميزة التحكم التلقائي في درجة الحرارة تتحقق من درجة حرارة الماء الوارد. يعد هذا أمرًا طبيعيًا. أثناء ملء الغسالة، قد تلاحظ مرور الماء الساخن و/أو الماء البارد فقط خلال الموزع عند تحديد درجة حرارة الماء البارد أو الدافئ. وهذه وظيفة طبيعية لميزة التحكم التلقائي في درجة الحرارة نظرًا لأن الغسالة تحدد درجة حرارة الماء. 	<p>تمتلئ الغسالة بماء ذي درجة حرارة خاطئة.</p>
<ul style="list-style-type: none"> افحص المنصهر أو أعد تشغيل قاطع الدائرة الكهربائية. تأكد أن وحدة التيار الكهربائي تعمل بشكل طبيعي. تأكد من توصيل قابس الجهاز بمصدر التيار الكهربائي. تأكد أن خرطوم تصريف الماء موجه لأسفل. (الطرز التي تدعم التصريف الطبيعي) تأكد من عدم انسداد خرطوم التصريف. تأكد من عدم التواء خرطوم التصريف. فك الثنيات الموجودة في خرطوم التصريف. إذا كانت هناك مشكلة تتعلق بالتصريف، فاتصل بالخدمة. أغلق الغطاء واضغط فوق الزر بدء/إيقاف. من أجل سلامتك، لن تقوم الغسالة بالدوران إلا إذا كان الغطاء مغلقًا. 	<p>لا تقم بالتصريف و/أو العصر.</p>
<ul style="list-style-type: none"> استخدم سرعة دوران "عالية" أو "عالية جدًا". (الطرز الملائمة فقط) استخدم مسحوقًا ذا فاعلية عالية (HE) لتقليل الرغوة الزائدة. الحمولة قليلة جدًا. قد يصبح الغسيل القليل (قطعة واحدة أو اثنتين) غير متوازن ولا يتم عصره بالكامل. 	<p>الملابس تظل مبتلة في نهاية الدورة.</p>

استكشاف المشاكل وحلها

المشكلة	الإجراء
الماء يتسرب.	<ul style="list-style-type: none"> • تأكد من إحكام جميع وصلات الخرطوم. • تأكد أن المطاط الخاص بخرطوم توريد الماء في وضعه الصحيح. اربط المسامير مرة أخرى بإحكام. • تأكد من إدخال طرف خرطوم التصريف وإحكام وضعه بشكل صحيح في نظام التصريف. • تجنب التحميل الزائد. • استخدم مسحوقًا ذا فاعلية عالية (HE) لمنع الرغوة الزائدة. • تأكد من عدم التواء خرطوم توريد الماء. • إذا كانت عملية توريد الماء قوية جدًا، فقد يحدث تسرب للماء. أغلق صنبور الماء قليلاً. • تأكد من عدم تسرب الماء من الصنبور. إذا لاحظت أي تسرب، فأصلح الصنبور.
توجد رغاوي زائدة.	<ul style="list-style-type: none"> • استخدم مسحوقًا ذا فاعلية عالية (HE) لمنع الرغوة الزائدة. • قلل كمية المسحوق عند استخدام ماء ساخن أو مع الحمولات الصغيرة أو خفيفة الاتساخ. • لا يفضل استخدام مساحيق سوى المساحيق ذات الفاعلية العالية.
حاوية العصر أو خرطوم تصريف/ توريد الماء متجمد.	<ul style="list-style-type: none"> • استخدم الماء الدافئ لفصل خرطوم توريد الماء وخرطوم التصريف. انقع الخرطومين في ماء دافئ. • املاً حاوية العصر بالماء الدافئ، ثم انتظر ١٠ دقائق. • ضع منشفة مبللة بالماء الساخن على وصلة خرطوم التصريف. • أعد توصيل خرطوم توريد الماء وخرطوم تصريف الماء، ثم تأكد من توريد الماء بشكل صحيح.
يتم تصريف الماء إلى الخارج في الحال.	<ul style="list-style-type: none"> • تأكد أن خرطوم تصريف الماء غير مسدود ومعلق على الحطّاف الخاص بخرطوم التصريف. املاً نصف حاوية العصر بالماء. وحاول تشغيل دورة العصر مرة أخرى. • ارفع طرف خرطوم تصريف الماء لمنع تصريف الماء. املاً نصف حاوية العصر بالماء، ثم شغّل دورة العصر بعد إزالة خرطوم تصريف الماء. • تأكد من تركيب خرطوم تصريف الماء بطريقة صحيحة. راجع قسم التركيب بدليل المستخدم هذا. واضبط وضع خرطوم تصريف الماء طبقاً للإرشادات.
البقع تظل على الملابس.	<ul style="list-style-type: none"> • قم بتنظيف مصفاة النسالات.
هناك روائح كريهة.	<ul style="list-style-type: none"> • تتجمع الرغاوي الزائدة في التجاويف مما يسبب رائحة كريهة. • شغّل دورات التنظيف بانتظام للتعقيم. • جفف الجزء الداخلي من الغسالة بعد انتهاء دورة الغسل.

في حالة استمرار المشكلة، اتصل بمركز خدمة عملاء Samsung المحلي.

رموز المعلومات

إذا لم تعمل الغسالة، فقد يظهر أحد رموز المعلومات على لوحة العرض. راجع الجدول التالي وجرب الاقتراحات الواردة به.

الرمز	الإجراء
1C	<p>مستشعر مستوى الماء لا يعمل بشكل سليم.</p> <ul style="list-style-type: none"> افحص ضفيرة أسلاك مستشعر مستوى الماء. في حالة استمرار ظهور رمز المعلومات، اتصل بمركز خدمة العملاء.
3C	<p>توجد مشكلة في المحرك</p> <ul style="list-style-type: none"> جرب إعادة تشغيل الدورة. إذا استمرت المشكلة، فاتصل بخدمة الصيانة.
4C	<p>لا يتم تزويد الماء.</p> <ul style="list-style-type: none"> تأكد أن صنابير الماء مفتوحة. تأكد من عدم انسداد خرطوم الماء. تأكد من عدم جُمَد صنابير الماء. تأكد من تشغيل الغسالة بضغط ماء كافٍ. تأكد من توصيل صنبوري الماء البارد والساخن بشكل صحيح. نظّف المصفاة الشبكية، فقد تكون مسدودة.
4C2	<ul style="list-style-type: none"> تأكد من أن خرطوم توريد الماء البارد متصل بصنبور الماء البارد بإحكام. إذا كان الخرطوم متصلاً بصنبور الماء الساخن، فقد يتعرض الغسيل للتلف مع بعض الدورات.
5C	<p>لا يتم تصريف الماء.</p> <ul style="list-style-type: none"> تأكد من عدم انسداد خرطوم تصريف الماء أو جُمده. تأكد أن خرطوم تصريف الماء في وضعه الصحيح، وذلك حسب نوع التوصيل. نظّف مصفاة الخلفيات حيث قد تكون مسدودة. تأكد من فرد خرطوم تصريف الماء بالكامل داخل مجموعة التصريف. في حالة استمرار ظهور رمز المعلومات، اتصل بمركز خدمة العملاء.

استكشاف المشاكل وحلها

الرمز	الإجراء
9C1	مشكلة في التحكم الإلكتروني (خطأ بسبب الجهد الكهربائي الزائد) <ul style="list-style-type: none"> افحص لوحة الدائرة الكهربائية المطبوعة وظيفية الأسلاك. تأكد من توصيل التيار بشكل سليم. في حالة استمرار ظهور رمز المعلومات، اتصل بمركز خدمة العملاء.
9C2	تم اكتشاف جهد كهربائي منخفض <ul style="list-style-type: none"> تحقق من توصيل سلك التيار الكهربائي. في حالة استمرار ظهور رمز المعلومات، اتصل بمركز خدمة العملاء.
9C4	مشكلة تسرب كهربائي لمستشعر التيار المستمر <ul style="list-style-type: none"> في حالة استمرار ظهور رمز المعلومات، اتصل بمركز خدمة العملاء.
AC6	مشكلة توصيل العاكس الكهربائي <ul style="list-style-type: none"> افحص لوحة الدائرة المطبوعة الخاصة بالعاكس وظيفية الأسلاك. في حالة استمرار ظهور رمز المعلومات، اتصل بمركز خدمة العملاء.
dC	تشغيل الغسالة والغطاء مفتوح <ul style="list-style-type: none"> تأكد أن الغطاء مغلق بإحكام. تأكد من عدم وجود ملابس عالقة بالغطاء.
HC	مشكلة في التحكم بدرجة حرارة الماء (التحكم في السخان) <ul style="list-style-type: none"> في حالة استمرار ظهور رمز المعلومات، اتصل بمركز خدمة العملاء.
LC	افحص خرطوم التصريف. <ul style="list-style-type: none"> تأكد من وضع طرف خرطوم تصريف الماء على الأرض. تأكد من عدم انسداد خرطوم التصريف. في حالة استمرار ظهور رمز المعلومات، اتصل بمركز خدمة العملاء.
OC	يفيض الحوض بالمياه. <ul style="list-style-type: none"> أعد التشغيل بعد العصر. إذا استمر رمز المعلومات في الظهور على الشاشة، فاتصل بمركز خدمة Samsung المحلي.
PC	لا يمكن اكتشاف موضع القابض. <ul style="list-style-type: none"> في حالة استمرار ظهور رمز المعلومات، اتصل بمركز خدمة العملاء.

الرمز	الإجراء
PC1	يظهر بعد اكتشاف موضع القابض، إذا كانت إشارة حجيرة القابض خاطئة. • في حالة استمرار ظهور رمز المعلومات، اتصل بمركز خدمة العملاء.
Ub	الدوران لا يعمل. • تأكد من توزيع قطع الملابس بالتساوي في الغسالة. • تأكد من تركيب الغسالة على سطح مستو وثابت. • إعادة توزيع الملابس بالغسالة، في حالة غسل قطعة واحدة فقط من الملابس، مثل برنس حمام أو بنطلون جينز، قد لا تكون نتيجة العصر النهائية مُرضية، وتظهر رسالة الفحص "Ub" على الشاشة.

إذا ظل هناك أي رمز معلومات يظهر على الشاشة، فاتصل بمركز خدمة Samsung المحلي.

المواصفات

بيان المواصفات

غسالة ذات فتحة علوية		النوع
WA18T6260**	WA17T6260**	
١٨,٠	١٧,٠	أقصى وزن (كجم)
٥٠٠		استهلاك الطاقة (واط) تيار متردد ٢٢٠-٢٤٠ فولت / ٥٠ هرتز
العرض ٦٣٧ × العمق ٧٠١ × الارتفاع ١٠٩٥		الأبعاد (مم)
٤٥,٠		الوزن الصافي (كجم)
٠,٠٥ إلى ٠,٧٨ (٠,٥ إلى ٨,٠)		ضغط الماء (ميجاباسكال (كجم ثقلي/اسم))
٧٠٠		سرعة الدوان (دورة في الدقيقة)

ملحوظة

- يعني رمز النجمة (*) أن الطراز متغير. ويمكن التعبير عنه بالرموز (0-9) أو (A-Z).
- تصميم المنتج ومواصفاته عرضة للتغيير لأغراض تحسين الجودة دون إخطار مسبق.
- تم تحديد المواصفات بملصق الطاقة باستخدام البرنامج الآتي وفقاً للمعيار IEC 60456.
- البرنامج هو
 WA18T6260** : عادي و مستوى الماء ٥
 WA17T6260** : عادي و مستوى الماء ٥

مذكرة

SAMSUNG

هل لديك أي استفسارات أو تعليقات؟

أزر موقعنا على الإنترنت	اتصل على	البلد
www.samsung.com/levant/support	80010080	Iraq